


Your *Parrot Disco-Pro AG*TM contains the following elements:

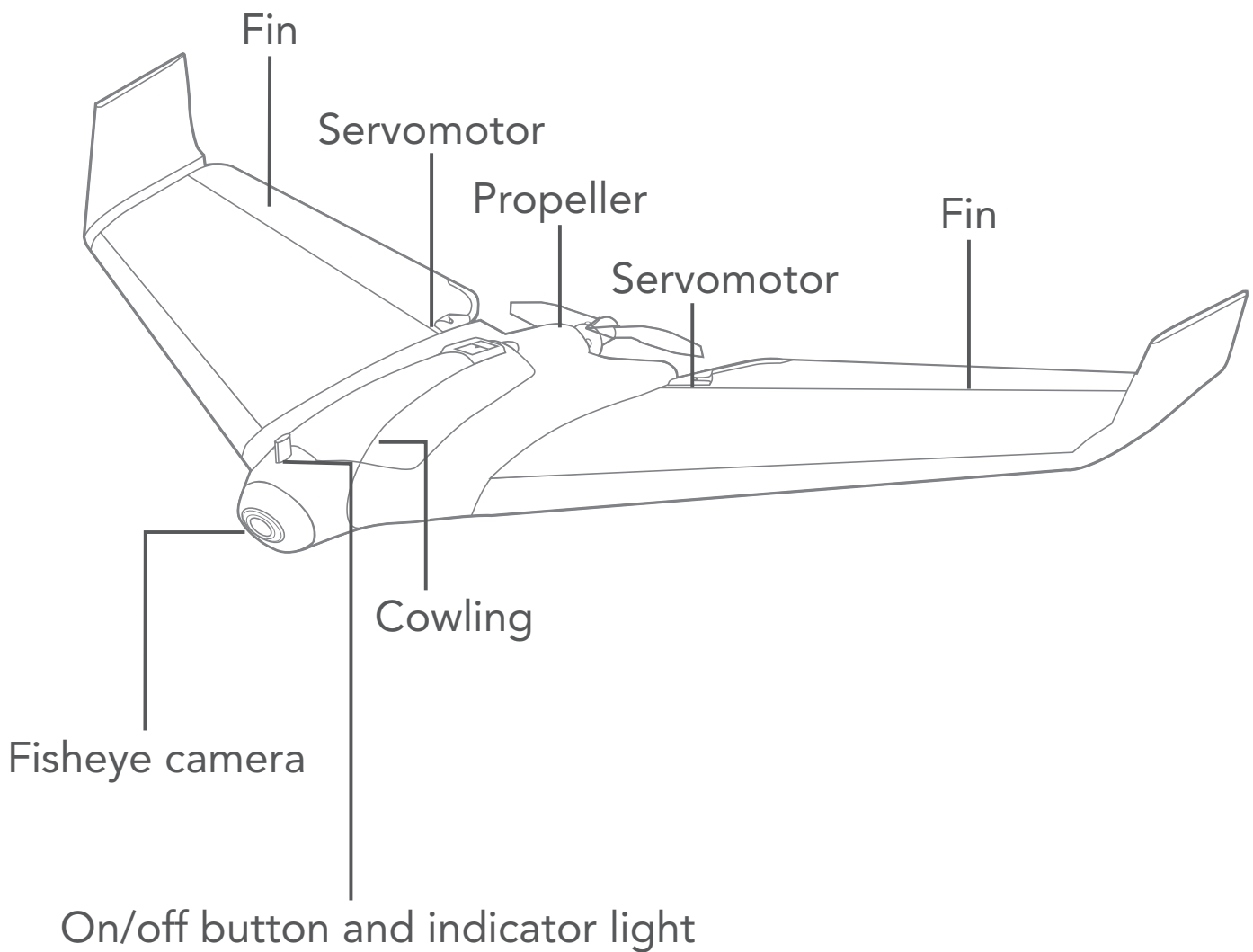
- 1.** A "*Parrot Disco*"TM drone;
- 2.** A "*Parrot CHUCK*"TM autopilot system;
- 3.** A "*Parrot Skycontroller 2*"TM lever. You can fly your Parrot Disco with the Parrot Skycontroller 2 by downloading the *FreeFlight Pro*TM app to your smartphone or tablet. This app is free of charge but might contain In-App Purchase offers. It also allows you to calibrate your Parrot Disco;
- 4.** A "*Sequoia*" sensor containing:
 - (A) A multispectral sensor that captures the light reflected by plants; and
 - (B) A sunshine sensor that records the intensity of light emanating from the sun; and
- 5.** Access to *Airinov First*TM services allowing you to obtain your NDVI and zoning maps from the images captured by the free *Pix4Dcapture*TM app to download to your smartphone or tablet.

DISCLAIMER

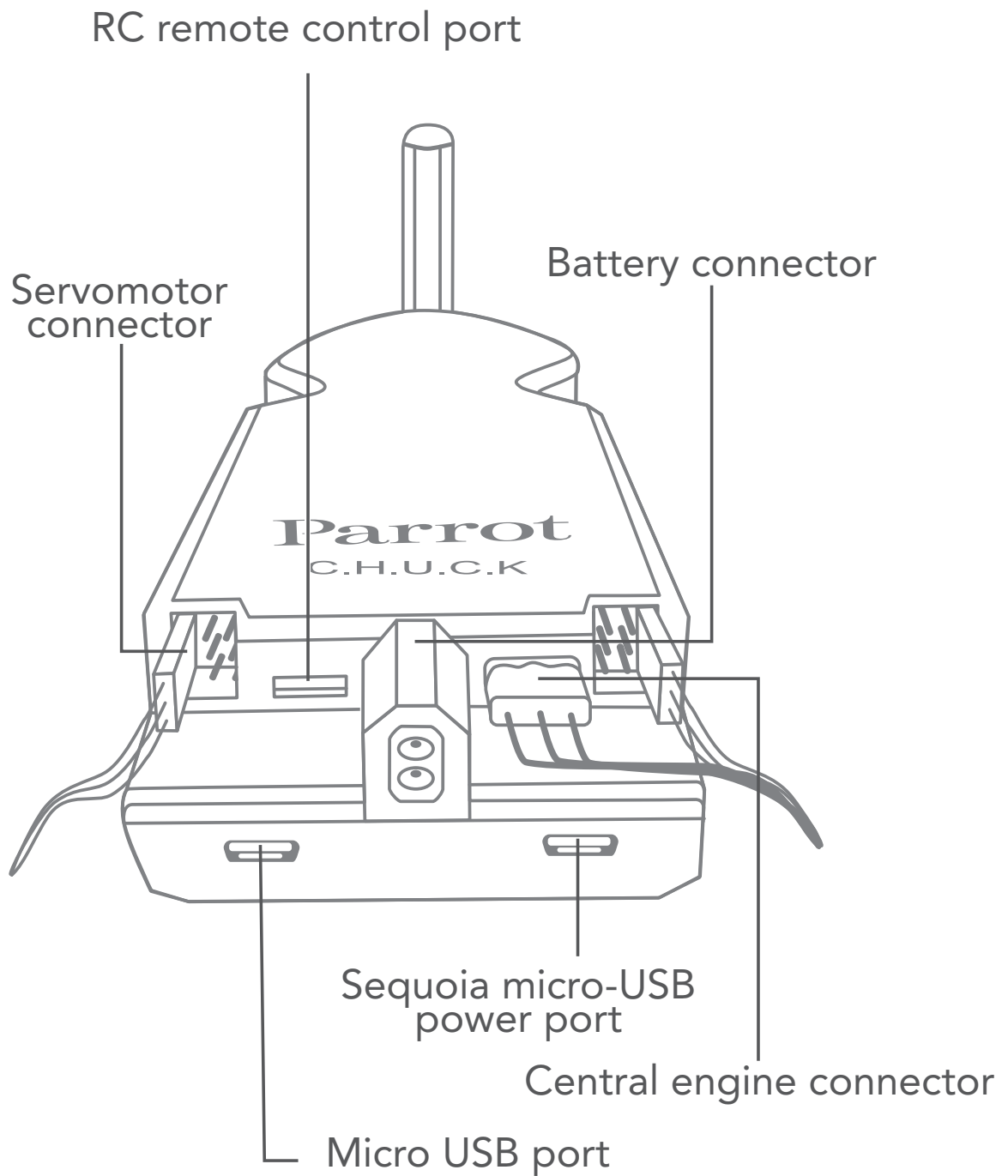
1. This Parrot Disco™ IS NOT A TOY and thus must not be operated or used by children under the age of 14.
2. BEFORE USING your Parrot Disco:
 - (a) READ CAREFULLY this User Guide and all other information and documentation available on www.parrot.com, which may be updated from time to time without any prior notice (referred hereafter as "**Parrot Documentation**"). Pay PARTICULAR ATTENTION to the paragraphs containing the  symbol ;
 - (b) INFORM YOURSELVES ABOUT ALL APPLICABLE REGULATIONS WITH RESPECT TO THE USE OF DRONES AND ITS ACCESSORIES (referred hereafter as "**Applicable Regulations**"); and
 - (c) BE AWARE that Parrot Disco may cause PROPERTY DAMAGE, PERSONNAL INJURY or DEATH.
3. Please be aware that all videos and pictures which are promoted by Parrot Drones SAS and its affiliates are made by and with professionals and experienced pilots. ALWAYS REFER TO THE UP-TO-DATE PARROT DOCUMENTATION IF YOU HAVE ANY DOUBT REGARDING THE USE OF YOUR PARROT DISCO AND ITS ACCESSORIES.
4. TO THE EXTENT PERMITTED BY APPLICABLE LAW, PARROT DRONES SAS, ITS AFFILIATES, AND THEIR RESPECTIVE DISTRIBUTORS AND RETAILERS SHALL NOT BE HELD LIABLE FOR ANY AND ALL DAMAGES ARISING FROM OR IN CONNECTION WITH YOUR NON-COMPLIANCE (OR THE NON-COMPLIANCE OF THE PERSON USING YOUR PARROT DISCO) WITH PARROT DOCUMENTATION OR ANY APPLICABLE REGULATIONS.

PRESENTATION OF THE PARROT DISCO-PRO AG

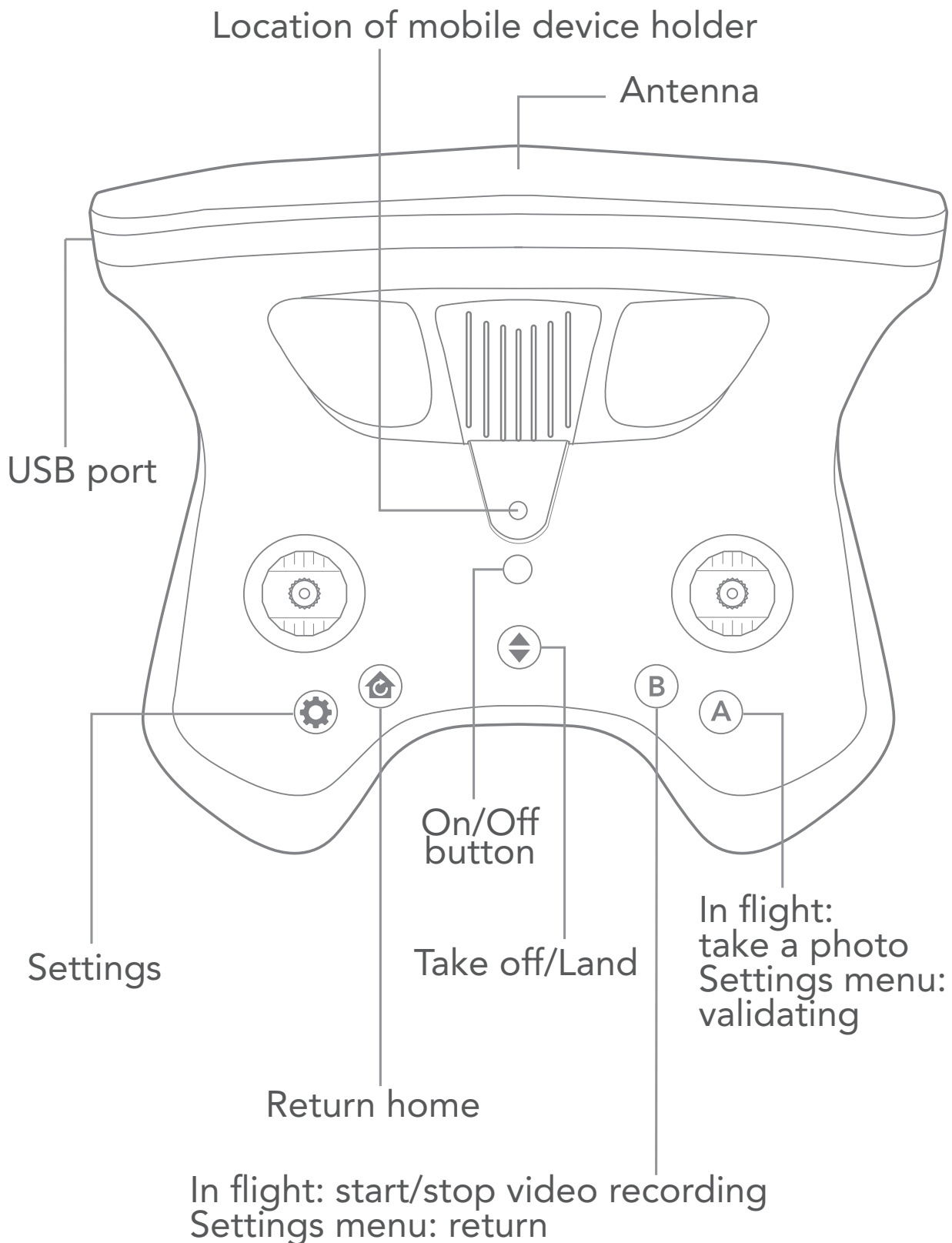
PARROT DISCO-PRO

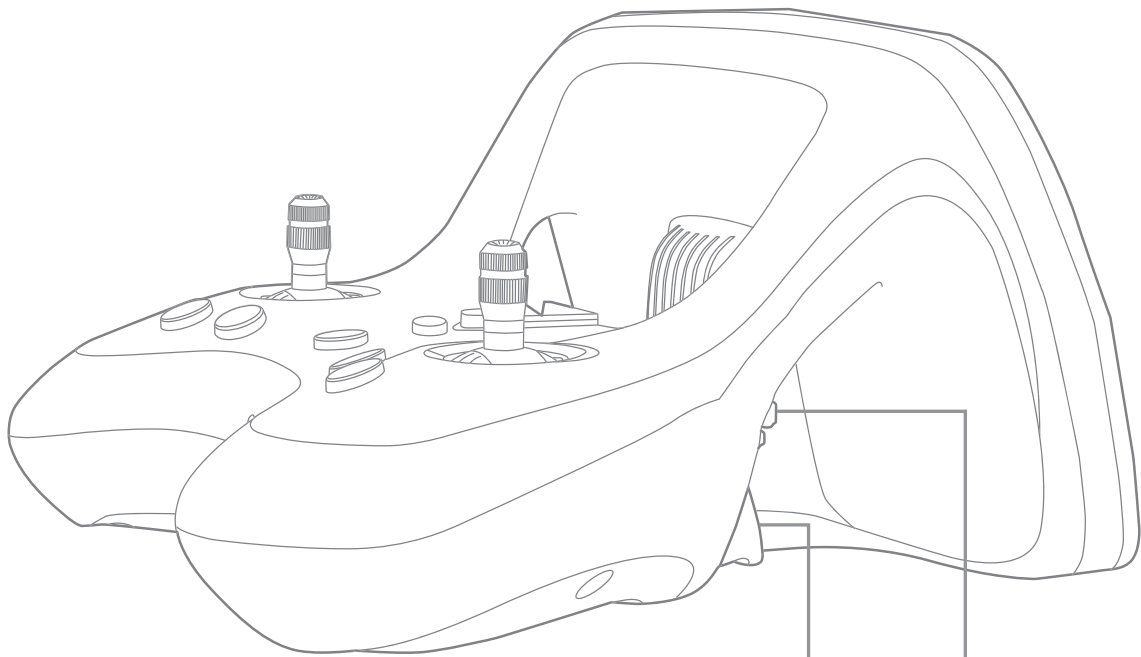


CHUCK AUTOPILOT UNIT



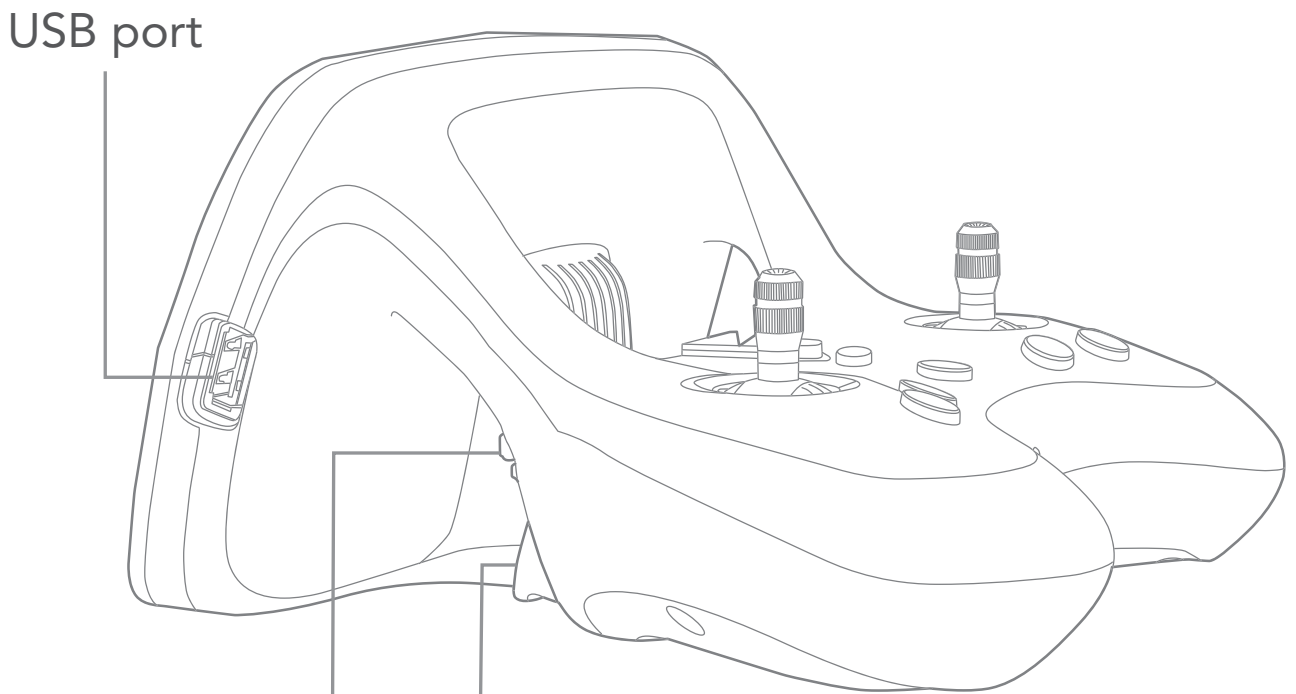
PRESENTATION OF THE PARROT SKYCONTROLLER 2





Direct View / Immersive View
with FreeFlight Pro

Camera exposure



USB port

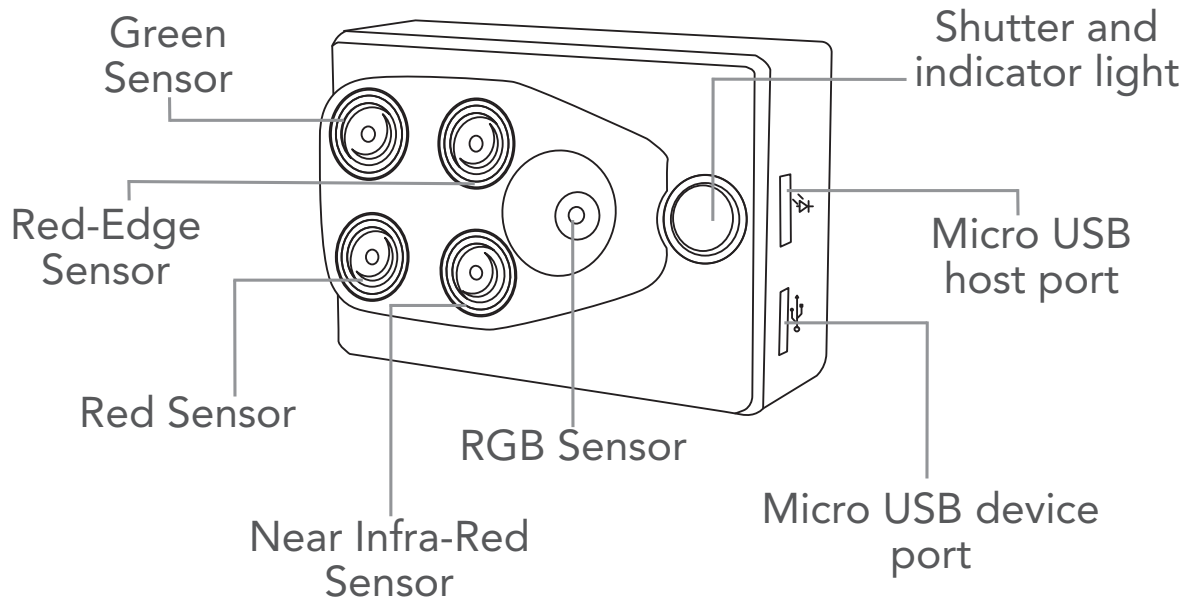
Display mode

Vertical orientation of the camera

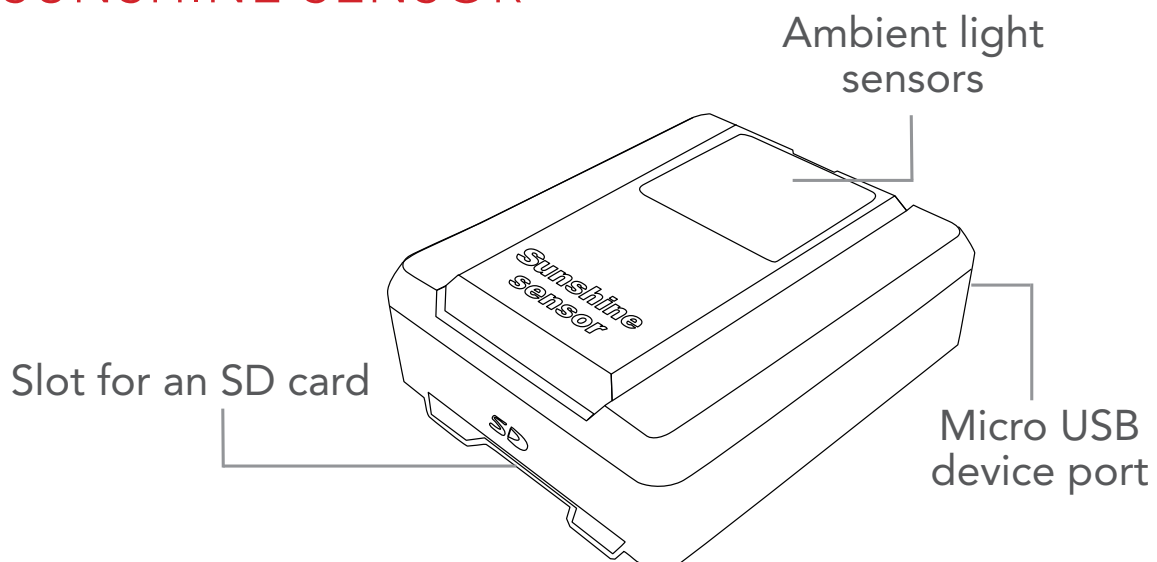
PRESENTATION OF THE SEQUOIA

Sequoia consists of a multispectral sensor and the Sunshine Sensor irradiance sensor.

MULTISPECTRAL SENSOR



SUNSHINE SENSOR



⚠ The micro-USB host port of the multispectral sensor must be connected to the micro-USB device port of the Sunshine Sensor.

BEFORE GETTING STARTED

DOWNLOAD FREEFLIGHT PRO AND PIX4DCAPTURE

Login to the App Store® or Google Play™ and download the free FreeFlight Pro and Pix4Dcapture apps to your smartphone or tablet.

FreeFlight Pro is Parrot's official application enabling free drone flying.

Pix4Dcapture is the free app for generating a flight plan to capture photos over an area of interest.

CHARGING THE PARROT DISCO-PRO'S BATTERY

⚠ The battery must be disconnected from the Parrot Disco-Pro.

- 1.** Select the plug (provided) for your country and insert it into the charger.
- 2.** Connect the cable to the charger.
- 3.** Connect the battery to the charger's cable, and then plug the charger into the mains.

The warning light is red while charging and then turns green when the battery is charged.

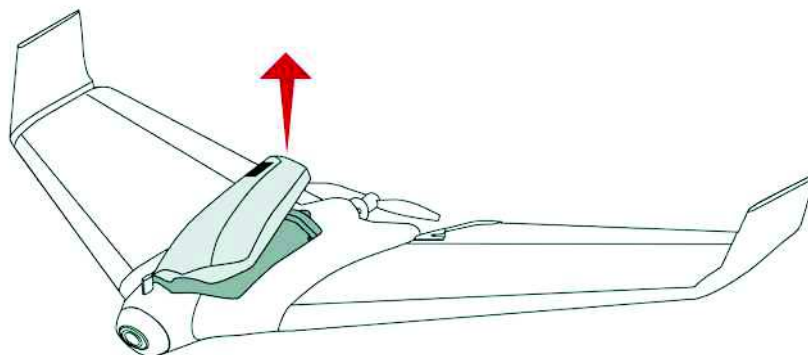
The charging time is about 55 minutes for a flight time of about 30 minutes.

CHARGING THE PARROT SKYCONTROLLER 2 BATTERY

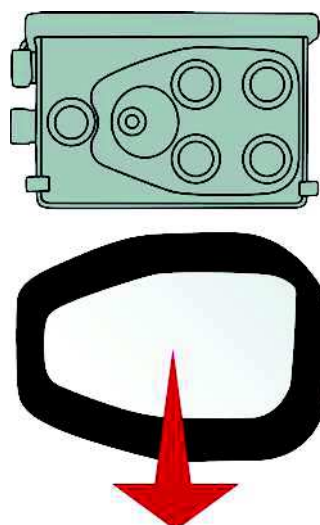
1. Take the adapter appropriate to your country and fix it on the charger.
2. Connect the charger cable to Parrot Skycontroller 2, then plug the charger into the mains. The charge time is approximately 1 hour 40 minutes for 4 hours of use.

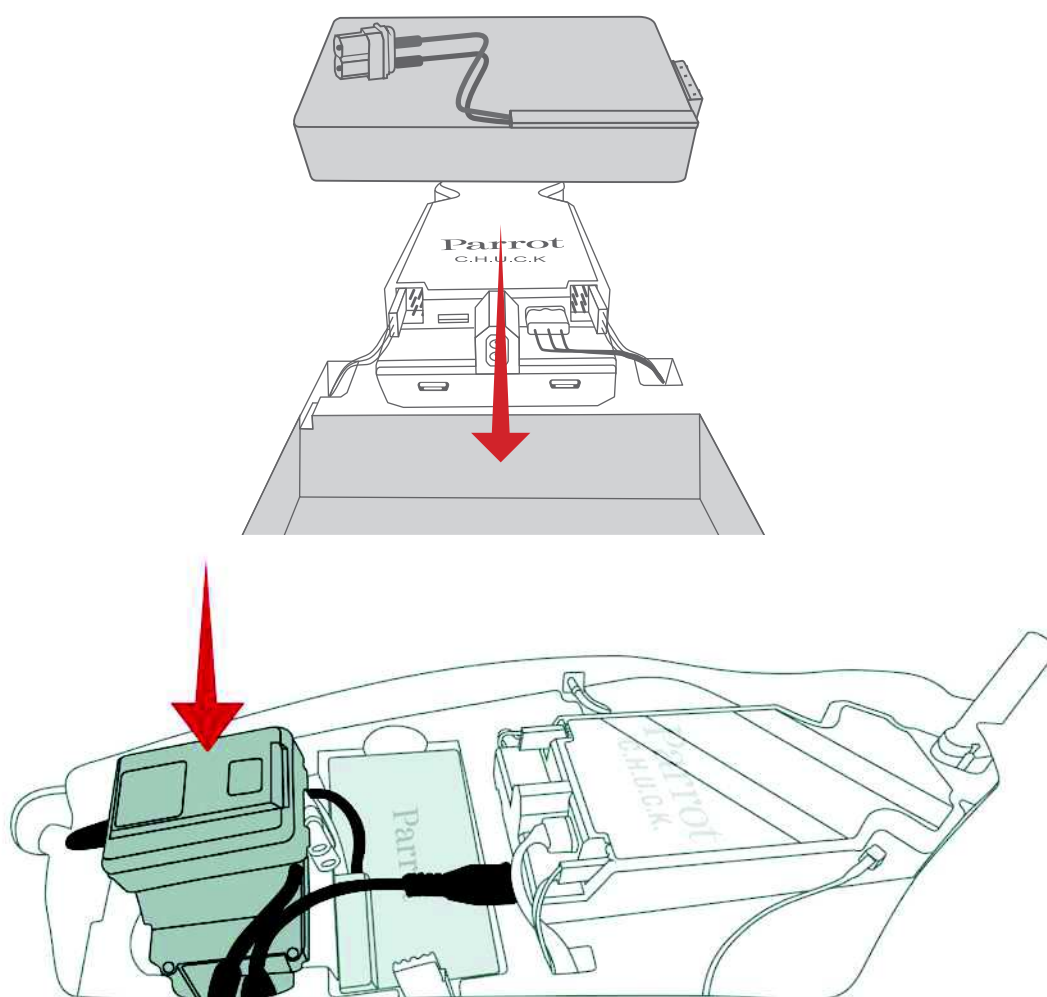
PREPARING THE PARROT DISCO

1. Remove the Parrot Disco-Pro's cowling.

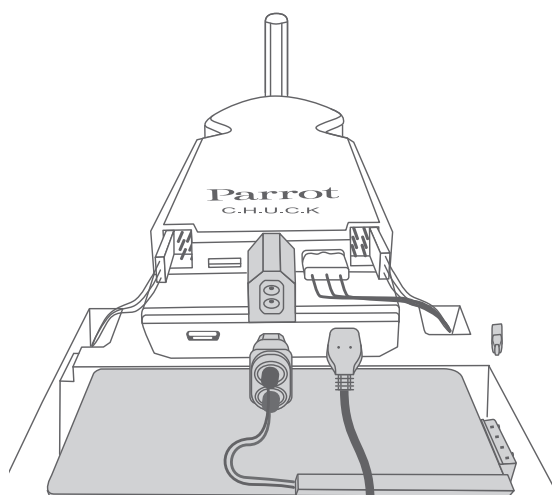


2. Remove Sequoia, remove the protective lens cover and place the battery in the slot provided.



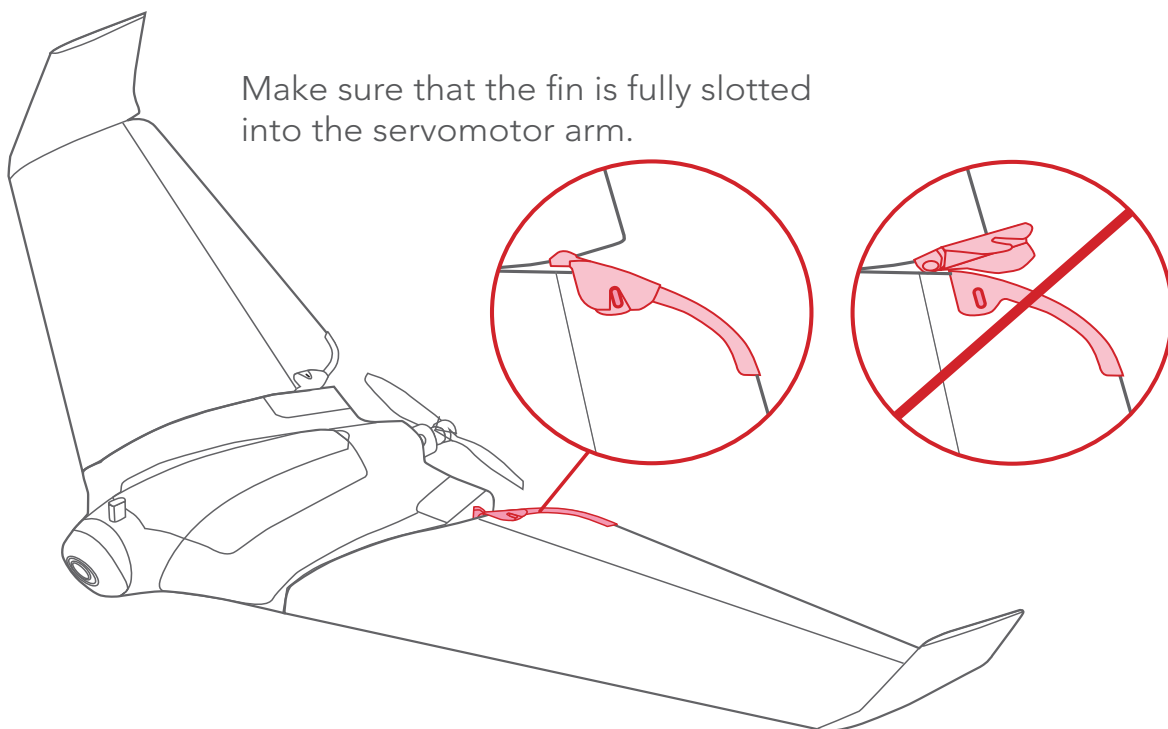
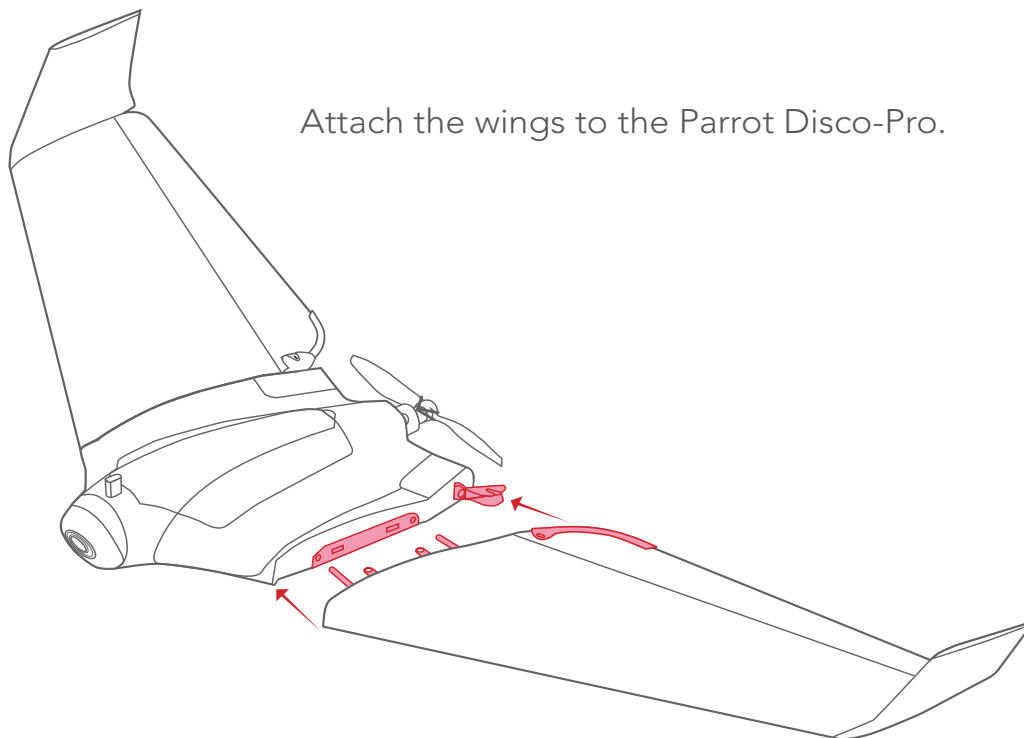


3. Replace the Sequoia and connect the battery to the Parrot Disco-Pro. Then connect the Micro-USB device cable from the Multispectral Sensor to the micro-USB power port on Parrot CHUCK.




4. Close the Parrot Disco-Pro's cowling.

ATTACHING THE WINGS



To remove the wings, pull on them.

 Do not move the servomotors by hand.

PRE-FLIGHT CHECKS

Before each flight with the Parrot Disco-Pro, carry out the following checks:

⚠️ REGULATIONS

- Make sure that the use of Parrot Disco-Pro is allowed where you are going to fly.
- Check the restrictions regarding the use of Wi-Fi® frequencies in the place where you are going to fly.

FLIGHT CONDITIONS

⚠️ 5 conditions to be complied with, without fail

1. Make sure you have at least 80 meters in diameter of clear space for your Parrot Disco-Pro to take off and land. Make sure the airfield has no obstacles that may hinder piloting or prevent visual flight.
2. Do not fly the Parrot Disco-Pro at night.
3. Do not fly the Parrot Disco-Pro over an urban area or in certain places in the public domain (for example: train stations, airports, etc.).
4. Check the weather to ensure good flight and visual conditions. Do not fly the Parrot Disco-Pro in rain, fog, snow or wind of over 12 meters per second or 43 km/h.
5. Make sure the flight altitude programmed in Pix4Dcapture (entered in relation to take-off point) is sufficient to clear obstacles in the surrounding area.

PARROT DISCO-PRO

- Make sure the Parrot Disco-Pro's wings are properly secured (see the **Attaching the wings section**).
- Make sure the Parrot Disco-Pro's battery and your remote control's battery are charged (see the **Fitting the battery section**).
- Make sure the Parrot Disco-Pro's cowling is properly closed.
- Make sure the Parrot Disco's warning light is green. This means that the Parrot Disco has detected the GPS signal.
- Make sure the Sunshine Sensor is properly exposed.
- Check the ground conditions for landing the Parrot Disco.

SEQUOIA

- Make sure the protective cover is removed before use.
- Make sure that the Sequoia is connected to the right micro-usb port of the Parrot CHUCK.
- Make sure that the lenses are clean. Use the microfibre cloth (supplied) to clean them.
- Free up enough memory (in the multispectral sensor internal memory) so you can save all the photos taken during the flight.

- Make sure that the two modules are properly attached to the drone and that they are not likely to come away during the flight.
- Make sure that the micro USB device cable which connects the drone to the multispectral sensor is connected. Also check the micro-USB connection between the sunshine sensor and the multispectral sensor.
- Make sure that the two sensors are calibrated. For more information, see the Calibrating Sequoia section.
- Wait until the sunshine sensor indicator light is green. When it is green this means that the GPS/GNSS is enabled.

CONNECTING TO THE PARROT DISCO-PRO

CONNECTING THE PARROT SKYCONTROLLER 2 TO THE PARROT DISCO WITH FREEFLIGHT PRO


Place the Parrot Disco on a flat surface.

- 1.** Press the Parrot Disco-Pro's On/off button.
 - > The button flashes red then green once the GPS is connected.
- 2.** Press the On / Off switch on the Parrot Skycontroller 2.

3. Wait until the warning light is solid green.

You are connected to the Parrot Disco.

If the warning light continues to flash red, you need to calibrate the Parrot Disco. To do this:

4. In the FreeFlight Pro app, go to **Fly & film** >  > **Position, distances and limits** and press **Calibrate**.

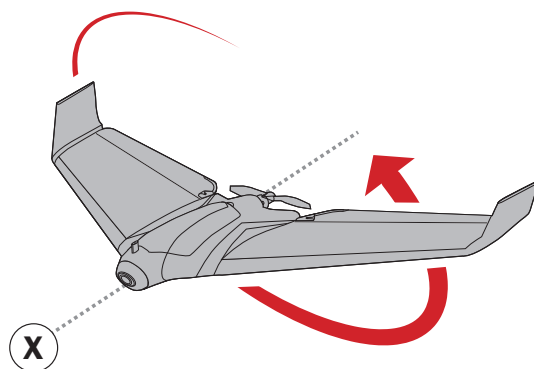
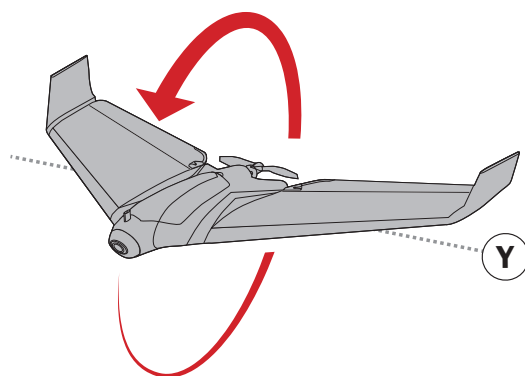
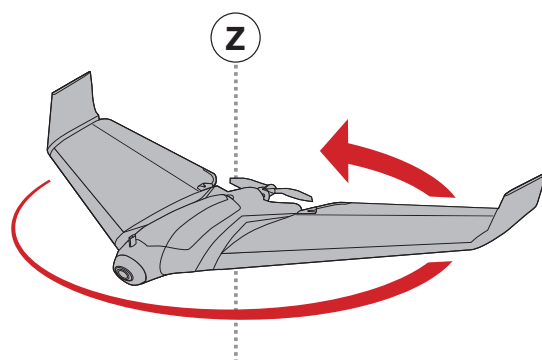
5. Calibrate the pitot tube. To do this, stand downwind and position the Parrot Disco camera to the ground.

6. Rotate the Parrot Disco on the Z-axis (yaw).

7. Rotate the Parrot Disco on the Y-axis (pitch).

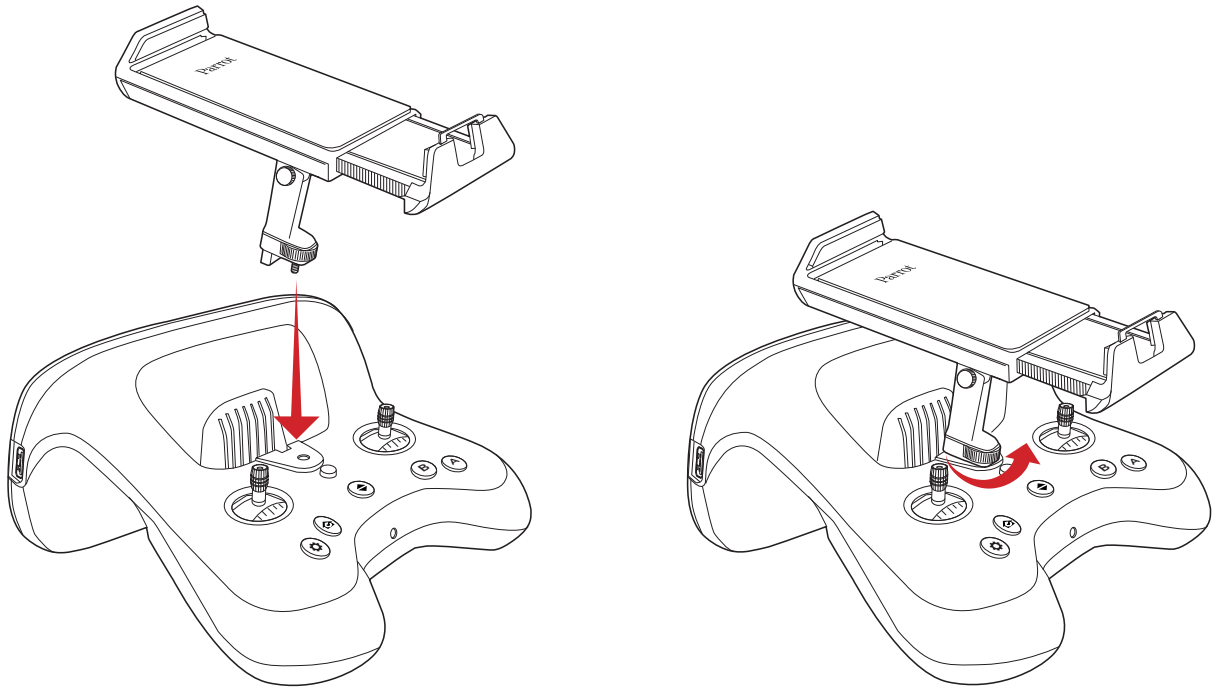
8. Rotate the Parrot Disco on the X-axis (roll).


>The warning light flashes green. **The Parrot Disco is calibrated.**

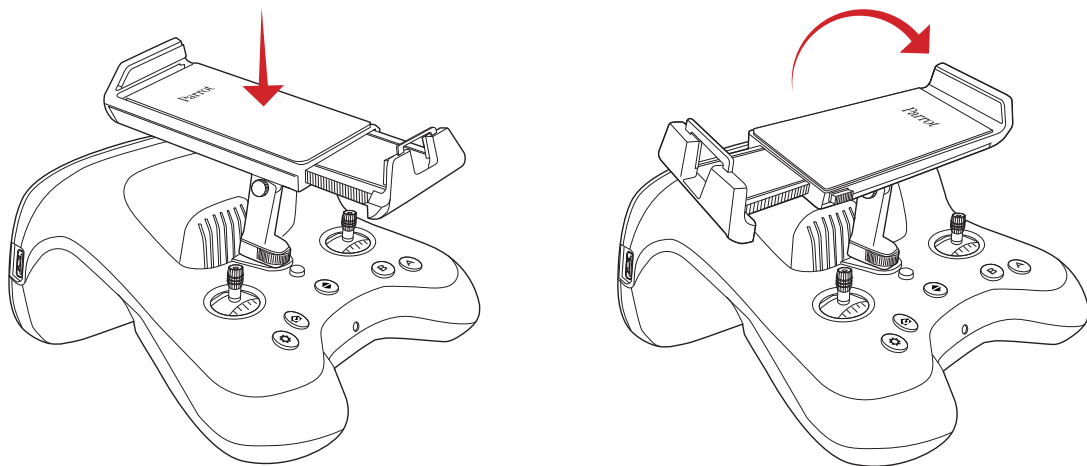


CONNECTING YOUR PARROT SKYCONTROLLER 2 TO YOUR SMARTPHONE

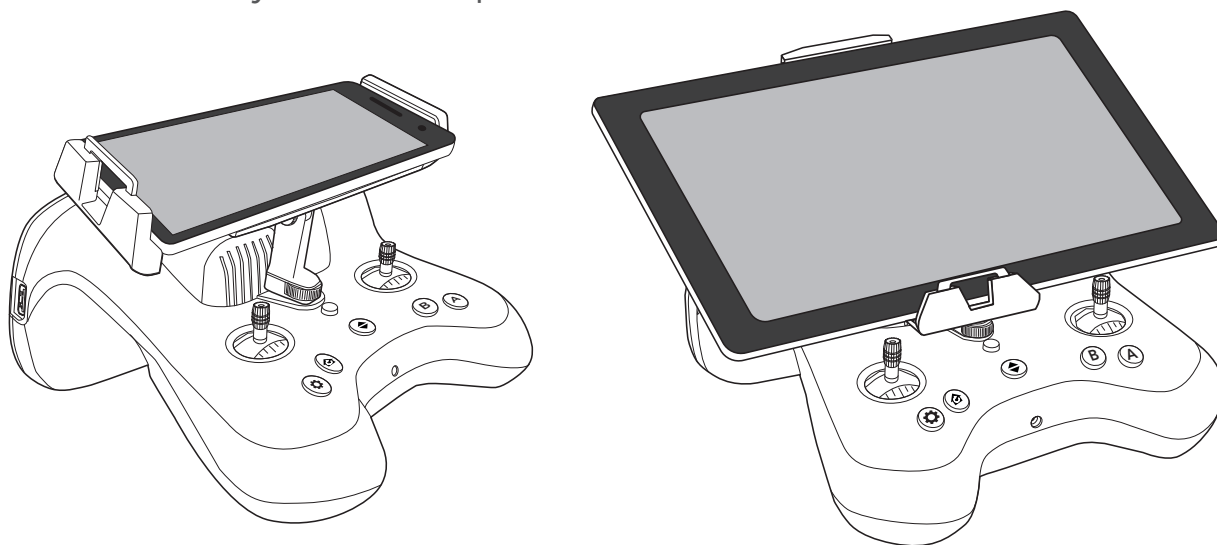
1. Screw the smartphone holder onto the Parrot Skycontroller 2.



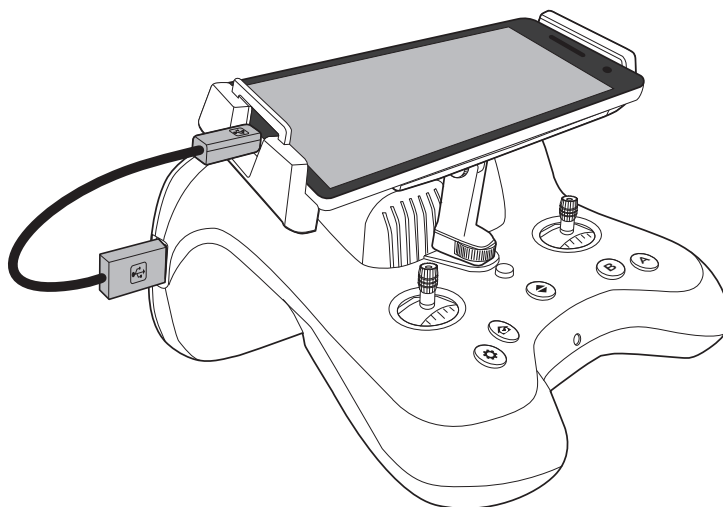
 You can rotate the holder to fit your smartphone's dimensions. To do this, press on it and rotate it to the right.



2. Press the right button on the holder to fully open it.
3. Position your smartphone on the holder.



4. Tighten the holder on your smartphone.
5. Using your smartphone's USB cable, connect your smartphone to the Parrot Skycontroller 2's USB port.

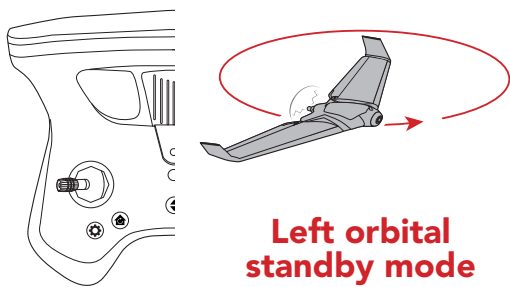
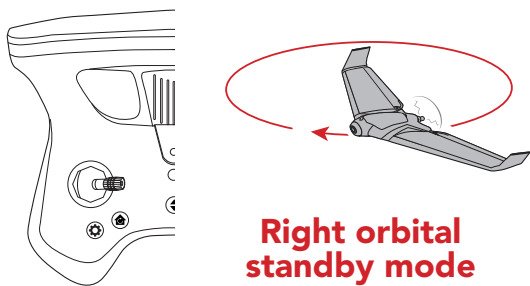
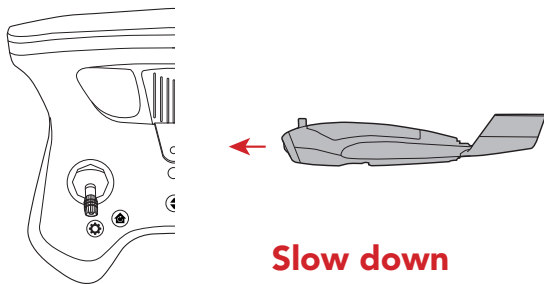
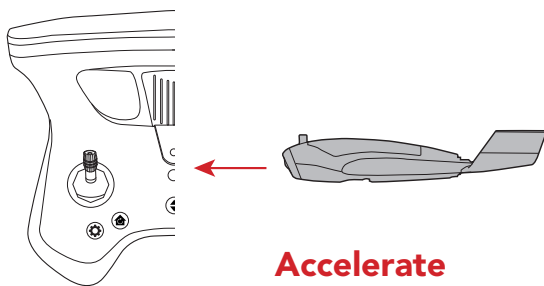


PILOTING MODES

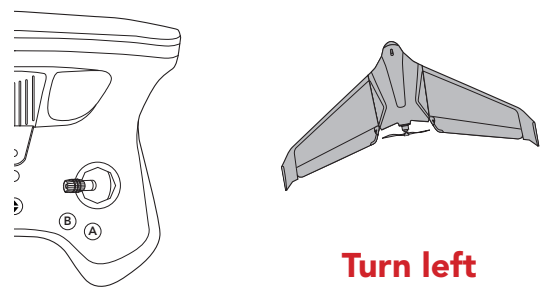
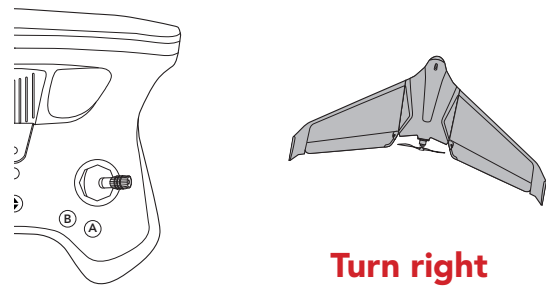
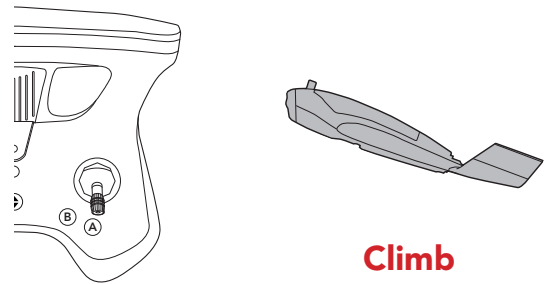
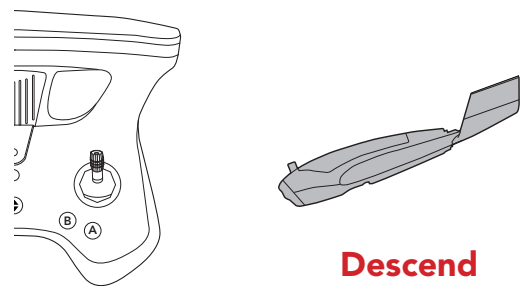
PARROT SKYCONTROLLER 2

At any time during the execution of the flight plan on Pix4Dcapture you can resume control of the drone by pressing one of the controls on the Parrot Skycontroller 2.

LEFT CONTROL STICK



RIGHT CONTROL



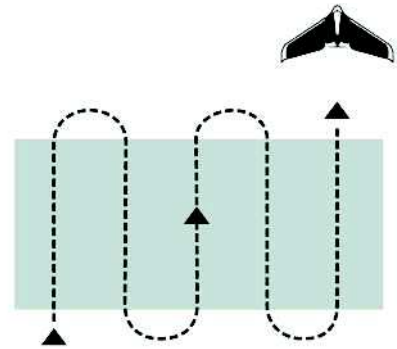
FLIGHT PLAN

CREATING A FLIGHT PLAN IN PIX4DCAPTURE

At the first launch, choose the Parrot Disco-Pro from the list of drones, and then proceed to editing the flight plan.

Grid: the drone quadrilles the area to be flown over in order to cover a major part of it.

When creating the flight plan, set the start point and the landing cone. For the landing zone, allow a space of 200 m in length on a cone of 30°.



For more detailed information on flight plans and their creation go to the Pix4Dcapture support page:

Android:

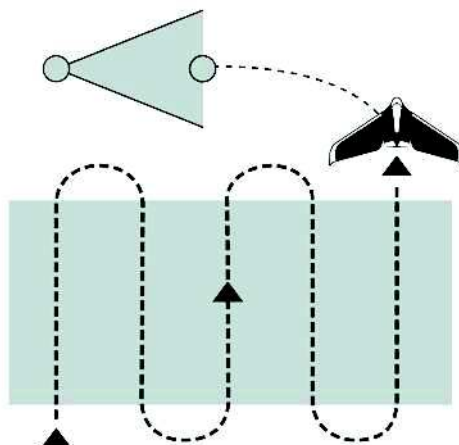
<https://www.parrot.com/uk/pix4dcapture-android>

iOS:

<https://www.parrot.com/uk/pix4dcapture-ios>

START THE FLIGHT PLAN


1. Turn on the Parrot Disco-Pro and connect it to the Parrot Skycontroller 2. The connection between the drone and the Parrot Skycontroller 2 is established automatically.
2. Connect your smartphone or tablet to the USB port of the Parrot Skycontroller 2.
3. Launch the **Pix4Dcapture** app.
4. Select the **type of mission** on the main page.
5. Create the flight plan to perform.
6. Specify the start point "**start waypoint**" and the landing cone.
7. Press on **START**
 - > A countdown starts to give you time to get into position.
 - > The Parrot Disco-Pro is ready to take off after the countdown and the engine starts. See section **Taking off**.
 - > Once the flight plan is completed the drone returns to the landing cone defined on the flight plan and lands.



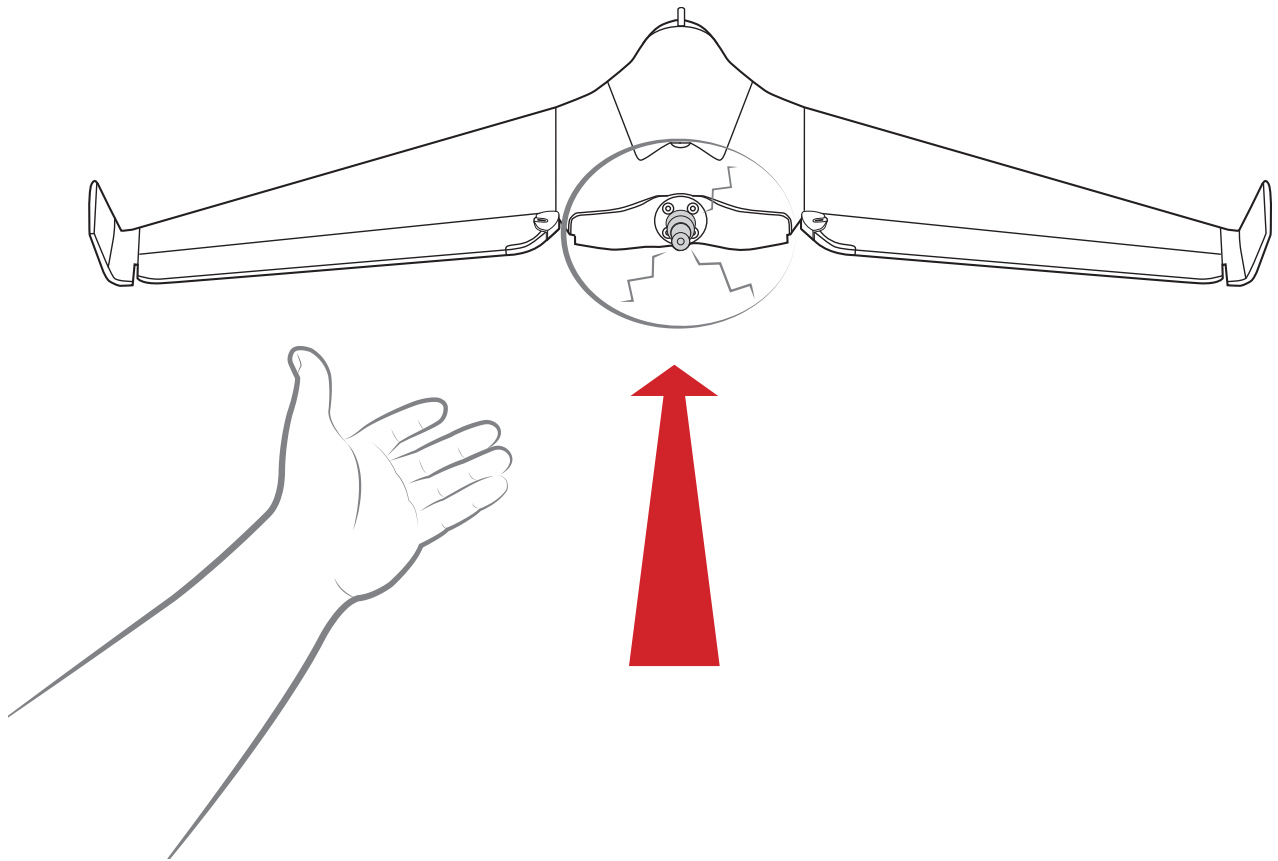
TAKING OFF

⚠ You must take off into the wind.


1. Stand facing upwind holding the body of the Parrot Disco-Pro with one hand.
2. Make sure the Parrot Disco-Pro's engine is completely clear.
3. In the Pix4Dapture app, after creating the flight plan, press on **Start**.



In the case of free assisted control with Freeflight Pro, press the button  on your Parrot Skycontroller 2 to launch the take-off.

- > The Parrot Disco-Pro engine starts to rotate and reaches its maximum speed in 1 second.
4. Gently toss the Parrot Disco-Pro upward.




>The Parrot Disco-Pro takes off. It goes up to 50 metres in altitude and then makes 60-metre diameter circles.

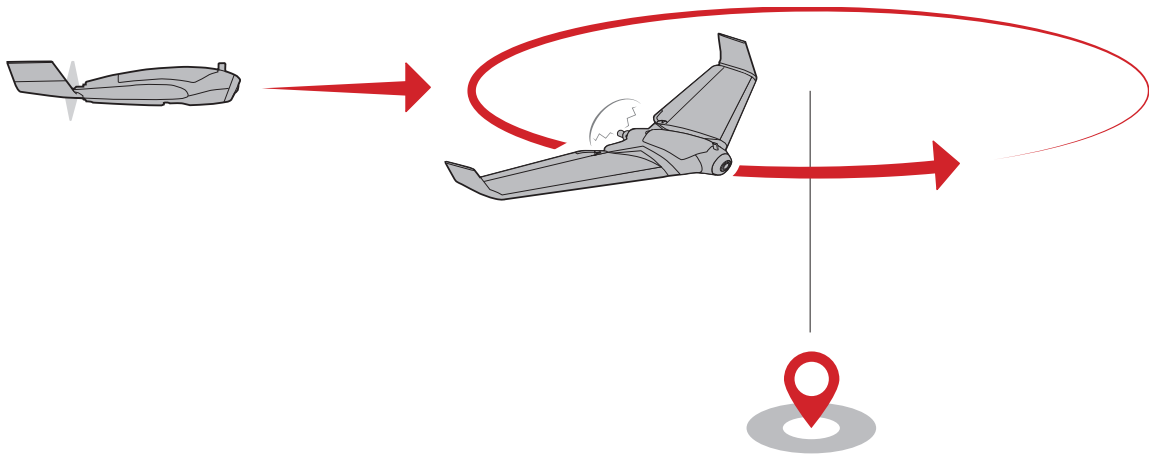
N.B.: To stop the Parrot Disco-Pro's engine, during the take-off phase, press the button  on your Parrot Skycontroller 2 again.

If you do not toss the Parrot Disco-Pro within 10 seconds of pressing , the engine shuts off. Press again on  to start a new take off procedure.

RETURN HOME

To bring the Parrot Disco-Pro back to its starting point outside of a flight plan on Pix4Dcapture, press the  button on the Parrot Skycontroller 2.

- > The Parrot Disco-Pro returns to its starting position, positions itself at 50 m altitude, and circles 60 meters in diameter above this position.




 Make sure you are in an open environment.

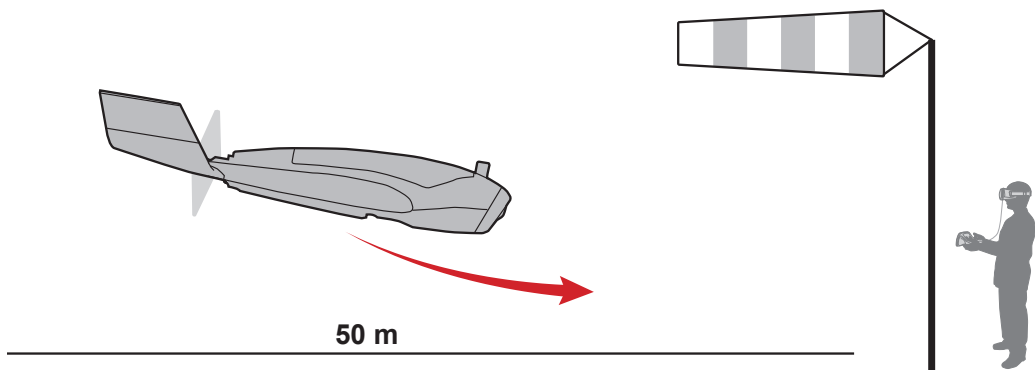
PARROT SKYCONTROLLER 2 : LANDING

-  To avoid damaging the Parrot Disco-Pro, land on a suitable surface, such as grass, for example.

LINEAR LANDING


1. Position the Parrot Disco-Pro facing upwind.
 2. Decrease the altitude of the Parrot Disco-Pro to the maximum.
 3. Press the  button on the Parrot Skycontroller 2.
- >The Parrot Disco-Pro descends in a straight line and then straightens and lands softly.

During the descent of the Parrot Disco-Pro, you can over-correct if necessary: go up, go down, turn left and turn right.




To cancel the landing, press the  button on the Parrot Skycontroller 2.

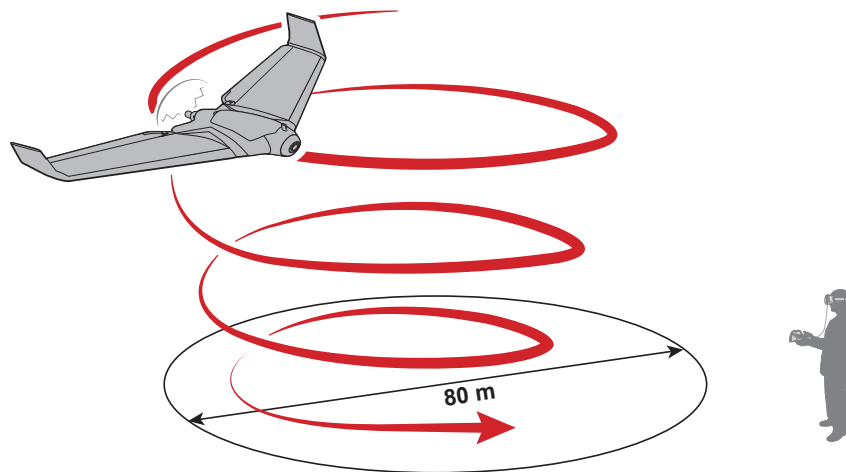
The Parrot Disco-Pro goes up to 50 meters and makes 60-meter diameter circles.

 Your landing strip must be at least 50 meters long.

CIRCULAR LANDING

During circular landing, the Parrot Disco-Pro makes sure, by itself, that it lands facing upwind so as to limit its landing speed.

1. Make sure you have an area of at least 80 meters in diameter to land the Parrot Disco-Pro.
 2. Hovering in orbit, with the Parrot Skycontroller 2, press on .
- >The Parrot Disco-Pro lands in a spiral.



 Circular landing requires a lot of space.

LOSS OF CONNECTION

During a flight outside the flight plan with Pix4Dcapture and in case of loss of connection, the Parrot Disco-Pro makes circles of 60 meters in diameter for a predefined period (10 seconds by default).

If the connection is not restored, the Parrot Disco-Pro returns to its starting position and then flies at a 50-metre altitude and then makes 60-metre diameter circles.

If the connection is not restored after 5 minutes, the Parrot Disco-Pro performs a circular landing.

TURNING OFF THE PARROT DISCO-PRO

To turn off the Parrot Disco-Pro, press and hold down the On/Off button.

- >The red light flashes, and then the Parrot Disco-Pro turns off.

RETRIEVING YOUR PHOTOS

During the flight, photos are stored on the internal memory of the multispectral sensor.

- 1.** Connect the multispectral sensor to your computer.
- 2.** Retrieve the photos taken during the flight.

If shooting is recorded on an SD memory card, you can also use the Sunshine Sensor as an SD card reader. To do this connect the sensor's micro USB device port to your computer.

⚠ Do not remove the SD card when Sequoia is turned on.

DATA PROCESSING WITH AIRINOV FIRST+

Go to <http://parrot.airinov.com> and follow the on-screen steps for processing your data.

For more information go to
www.parrot.com/support

UPDATING THE PARROT DISCO-PRO

1. Connect your Parrot Skycontroller 2 to your Parrot Disco-Pro.
2. Connect your smartphone or tablet to your Parrot Skycontroller 2 via USB.
3. The FreeFlight Pro app starts automatically.
4. In the FreeFlight Pro app, press on **Update**.
5. The app searches for updates.
6. If the app finds an update file, select it and press **OK**.
7. The application downloads the update file.
8. A pop-up window appears informing you that the drone will restart.
9. Tap **Exit**.

The Parrot Disco-Pro automatically restarts during installation of the update. It may take several minutes. Once the update is complete, the FreeFlight Pro app automatically restarts.

WARNING LIGHT INDICATIONS

Flashing blue	The Parrot Disco-Pro is starting up.
Flashing green light	The Parrot Disco-Pro has detected the GPS signal and is ready to take off.
Flashing yellow light	The Parrot Disco-Pro update is underway. Do not turn off the Parrot Disco-Pro.
Flashing red and blue	The Parrot Disco-Pro has detected a problem with the battery. > Contact your retailer or go to the Parrot Disco-Pro support page on www.parrot.com/support.
Flashing red light	The Parrot Disco-Pro has detected an engine fault. > An error message appears on the FreeFlight Pro app. Go to the error code table available at www.parrot.com/support.

SPARE PARTS

You can buy spare parts for the Parrot Disco-Pro from our online store: www.parrot.com.

For more information on the assembly of spare parts, see the video tutorials on our support page.

TECHNICAL SPECIFICATIONS

SENSORS

- Ultrasound
- Altimeter
- Hi-speed vertical camera
- Pitot Tube: speed sensor

INERTIAL NAVIGATION SYSTEM

- Three-axis gyroscope
- Three-axis accelerometer
- Three-axis magnetometer

HARDWARE

- CPU Dual core ARM® Cortex® -A9
- Internal flash memory: 32GB

WI-FI AND TRANSMISSIONS

- Network access point
- AC Wi-Fi, 2 dual band antennae (2.4 and 5 GHz), multiple inputs and outputs
- Up to 2km of range with the Parrot Skycontroller 2

REMOVABLE BATTERY

- 3 cell 2700mAh / 25A LipoBattery
- Battery life: 45 minutes
- Rated voltage: 11.1V
- 21.6A continuous discharge
- 3.5A max charge
- Operating range: -20°C-60°C

SIZE

- Weight: 940 gr
- Size: 1150 mm x 580 mm x 120 mm
- Wingspan: 1150 mm

GPS

- Integrated GPS
- GPS + GLONASS

PERFORMANCE

- Engine: 1280kv
- Servomotor: 5V
- Option of installing an SBUS, SUMD, CPPM radio receiver

VIDEO & PHOTOS

- Full HD 1080p Camera
- Video feed: 360p / 720p

SOFTWARE

- Linux® & Open Source SDK for development

BATTERY CHARGER

- Input: 100-240V, 50h-60Hz, 1.2A
- Output: Max 12.6Vdc, 3.5A
- Maximum altitude: 2000m above sea level
- Operating range: 0°C-40°C

PARROT DISCO

- Operating range: 0°C-40°C
- Max current: 15A
- Rated voltage: 11.1V

GENERAL INFORMATION

The Parrot Disco-Pro must be used in accordance with the civil aviation rules for each country, and in places suited to its chosen progression in order to always ensure the safety of people, animals and property.

Before flying your Parrot Disco-Pro, check the local civil aviation rules.

ACCESSORIES AND SPARE PARTS

Accessories and spare parts are available from your Parrot retailer or on www.parrot.com.

PRECAUTIONS FOR USE AND MAINTENANCE

The pilot must, at all times, maintain eye contact with the Parrot Disco-Pro and control its trajectory.

It may not be permitted to use the Parrot Disco in certain places in the public domain (e.g. train station, airport, etc.) or on public roads.

As soon as the Parrot Disco's propeller is moving, it can cause damage to people, animals or objects. Always stay a safe distance away from the Parrot Disco. Always pay attention to the Parrot Disco's propeller during take-off. Only use accessories specified by Parrot Drones SAS.

If sand or dust gets into the Parrot Disco, it may be irreparably damaged and no longer function properly.

Do not use the Parrot Disco in adverse weather conditions (rain, strong wind or snow) or when visibility is poor (at night).

Keep the Parrot Disco away from high voltage power lines, buildings or any other potentially hazardous areas.

Do not use this device near liquids. Do not place the Parrot Disco on water or on a wet surface as this could cause irreparable damage.

Avoid making the Parrot Disco undergo significant changes in altitude.

Do not leave the Parrot Disco in the sun.

Risk of ingestion of small objects. The packaging is not part of the product and must be discarded as a safety measure.

WI-FI

Before you fly your Parrot Disco, check the restrictions regarding the use of Wi-Fi frequencies in the place where you are going to fly it. Certain frequencies may be restricted or prohibited. For instance, in some countries the use of the 5 GHz band for your Wi-Fi may be prohibited for outdoor locations.

WARNING REGARDING PRIVACY AND RESPECT FOR IMAGES OF PROPERTY

Recording and broadcasting an individual's image without their permission may constitute an invasion of privacy and you may be held liable. Ask permission before filming people, especially if you intend to keep your recordings and/or broadcast them. Do not broadcast degrading images which may affect an individual's reputation or dignity.

Recording and broadcasting the image of property without permission from its owner and or any third party holding intellectual property rights on the property may constitute a violation of the property's image rights and you may be held liable. Ask permission from its owner and/or any third party with ownership rights.

BATTERY (PARROT DISCO AND PARROT SKYCONTROLLER 2)

WARNING: Failure to follow all the instructions may result in serious injury, irreparable damage to the battery and may cause a fire, smoke or explosion.

Always check the battery's condition before charging or using it. Replace the battery if it has been dropped, or in case of odour, overheating, discolouration, deformation or leakage. Never use anything other than the approved LiPo charger to charge the battery. Always use a balancing charger for LiPo cells or a LiPo cell balancer. It is recommended that you do not to use any other charger than the one provided with the product. Never trickle charge or charge under 2.5 V per cell. The temperature of the battery should never exceed 60°C (140°F) otherwise the battery may become damaged or ignited. Never charge on a flammable surface, near flammable products or inside a vehicle (preferably place the battery in a non-flammable and non-conductive container). Never leave the battery unattended during the charging process. Never disassemble or modify the housing's wiring, or puncture the cells. Always ensure that the charger output voltage corresponds to the voltage of the battery. Do not short circuit the batteries. Never expose the LiPo battery to moisture or direct sunlight, or store it in a place where temperatures could exceed 60 °C (car in the sun, for example). **Always keep it out of reach of children.**

WARNING

RISK OF EXPLOSION IF THE PARROT DISCO BATTERY IS REPLACED WITH AN INCOMPATIBLE BATTERY.

DISPOSE OF USED BATTERIES ACCORDING TO INSTRUCTIONS.

WARRANTY

To find out about the warranty conditions, please refer to the Terms and Conditions of Sale of the retailer where you purchased the Parrot Disco-Pro AG.

HOW TO RECYCLE THIS PRODUCT



This symbol on the product or its documentation indicates that it must not be disposed of with household waste. Uncontrolled waste disposal may harm the environment or human health. Please separate your device from other types of waste to recycle it responsibly. This will help to foster the sustainable re-use of material resources. Please contact your retailer or your local council to seek information about how to recycle the Parrot Disco, the Parrot Skycontroller 2 and the Sequoia.

DECLARATION OF CONFORMITY EU (PARROT DISCO-PRO)

 This device can be used in: DE, AT, BE, BG, CY, HR, DK, ES, EE, FI, FR, GR, HU, IE, IT, LV, LT, LU, MT, NL, PL, PT, CZ, RO, GB, SK, SI, SE.

The outdoor use restriction in member states of the European Union relates only to the first in the 5GHz band (5150-5250MHz).

PARROT DRONES, 174 quai de Jemmapes, 75010 Paris, France, declares on its sole responsibility that the product described in the present guide complies with technical standards EN301489-1, EN301489-17, EN300440-1, EN300328, EN300893, EN300440-2, EN60950-1, EN62321 in compliance with the provisions of R&TTE directive 1999/5/EC, the low voltage directive 2014/35/EU and the ROHS Directive 2011/65/EC.

<http://www.parrot.com/ce/?parrot-disco>

DECLARATION OF CONFORMITY (PARROT SKYCONTROLLER 2)

This device can be used in: DE, AT, BE, BG, CY, HR, DK, ES, EE, FI, FR, GR, HU, IR, IT, LV, LT, LU, MT, NL, PL, PT, CZ, RO, GB, SK, SI, SE.

Parrot DRONES, 174 quai de Jemmapes, 75010 Paris, France, hereby declares that it is solely responsible for the compliance of the product described in this user guide with technical standards, EN 301489-17, EN300328, EN71-1, EN71-2, EN71-3, EN62115, EN 50566: 2013 (SAR) under the provisions of the Radio Equipment Directive (RED) 2014/53/EU and the General Product Safety Directive 2014/35/EU.

<http://www.parrot.com/ce/?skycontroller-2>

DECLARATION OF CONFORMITY IN CANADA (PARROT DISCO-PRO)

This device complies with the Industry Canada RSS applicable to license-exempt radio apparatus. Operation is permitted subject to the following two conditions: (1) the apparatus must not produce interference, and (2) the apparatus user must accept any radio interference subjected to even if the said interference is likely to compromise its operation. This category B digital device is compliant with the NMB-003 standard of Canada.

DECLARATION OF CONFORMITY IN USA/CANADA (PARROT SKYCONTROLLER 2)

This device complies with the Industry Canada RSS applicable to license-exempt radio apparatus. Operation is permitted subject to the following two conditions: (1) the device must not produce interference, and (2) the user of the device must accept any radio interference encountered, even if the interference is likely to compromise operations.

FCC/IC

To comply with the FCC/IC RF exposure guidelines for transmission equipment, a distance of at least 20cm must be maintained between the product antenna and individuals. To remain compliant you are recommended not to use the product at any distance less than this.

TRADEMARKS

Parrot and the Parrot logos are trademarks of Parrot S.A.

Parrot Disco-Pro AG, Parrot Skycontroller, Sequoia, Parrot C.H.U.C.K as well as their respective logos are trademarks of Parrot Drones SAS.

App Store is a trademark of Apple Inc.

Google Play and Google Maps are trademarks of Google Inc.

Wi-Fi® is a registered trademark of Wi-Fi Alliance®

Linux is a trademark of Linus Torvalds registered in the USA and other countries.

Pix4D and Pix4Dcapture are registered trademarks of Pix4D SA.

Airinov and Airinov First are trademarks or registered trademarks of Airinov SAS.

All other trademarks mentioned in this guide are the property of their respective owners.

MANUFACTURER INFORMATION

The Parrot Disco-Pro, Parrot Skycontroller 2 and Sequoia are manufactured by: Parrot Drones SAS - 174 Quai de Jemmapes - 75010 Paris (France) - Corporate and Trade Register of Paris 808 408 074 - www.parrot.com

