


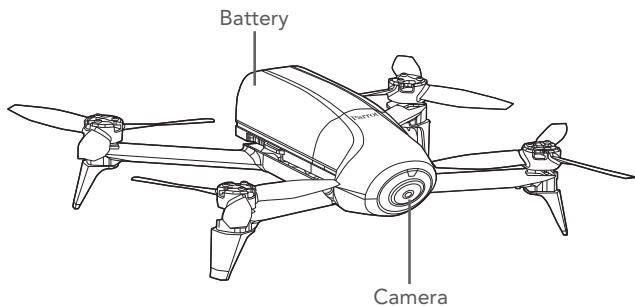
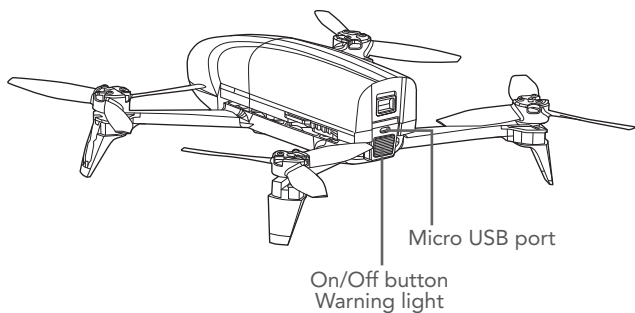
Your *Parrot Bebop-Pro 3D Modeling™* contains the following items:

- 1.** A "Parrot Bebop 2"™ drone;
- 2.** A "Parrot Skycontroller 2"™ lever. You can fly your Parrot Bebop 2 by downloading the *FreeFlight Pro™* application on your smartphone or tablet. This application is free of charge but might contain In-App Purchase offers; and
- 3.** A free license for one year and valid worldwide for the *Pix4Dmodel™* software that enables you to obtain 3D models from image recordings performed via your *Pix4Dcapture™* free application for downloading on smartphone or tablet.

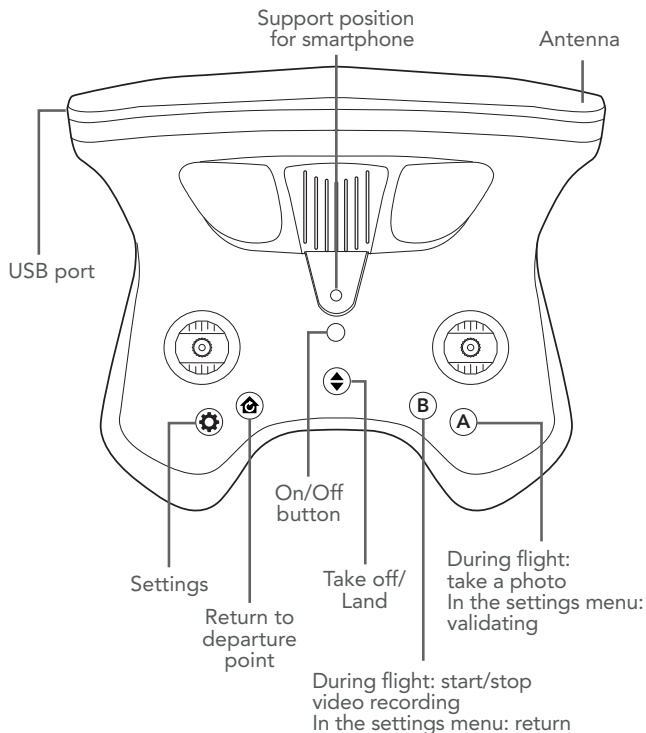
# DISCLAIMER

1. *Parrot Bebop 2™* IS NOT A TOY and thus must not be operated or used by children under the age of 14.
2. BEFORE USING your Parrot Bebop 2:
  - (a) READ CAREFULLY this User Guide and all other information and documentation available on [www.parrot.com/support](http://www.parrot.com/support), which may be updated from time to time without any prior notice (referred hereafter as "**Parrot Documentation**"). Pay PARTICULAR ATTENTION to the paragraphs containing the  symbol ;
  - (b) INFORM YOURSELVES ABOUT ALL APPLICABLE REGULATIONS WITH RESPECT TO THE USE OF DRONES AND ITS ACCESSORIES (referred hereafter as "**Applicable Regulations**"); and
  - (c) BE AWARE that Parrot Bebop 2 may cause PROPERTY DAMAGE, PERSONNAL INJURY or DEATH.
3. Please be aware that all videos and pictures which are promoted by Parrot Drones SAS and its affiliates are made by and with professionals and experienced pilots. ALWAYS REFER TO THE UP-TO-DATE PARROT DOCUMENTATION IF YOU HAVE ANY DOUBT REGARDING THE USE OF YOUR PARROT DISCO AND ITS ACCESSORIES.
4. TO THE EXTENT PERMITTED BY APPLICABLE LAW, PARROT DRONES SAS, ITS AFFILIATES, AND THEIR RESPECTIVE DISTRIBUTORS AND RETAILERS SHALL NOT BE HELD LIABLE FOR ANY AND ALL DAMAGES ARISING FROM OR IN CONNECTION WITH YOUR NON-COMPLIANCE (OR THE NON-COMPLIANCE OF THE PERSON USING YOUR PARROT BEBOP 2) WITH PARROT DOCUMENTATION OR ANY APPLICABLE REGULATIONS.

# PRESENTATION OF PARROT BEBOP 2




# PRESENTATION OF PARROT SKYCONTROLLER 2



# QUICK START

This guide will enable you to handle Parrot Bebop 2 quickly. For more detailed information go to the Support section on our site [www.parrot.com/support/](http://www.parrot.com/support/)

## CHARGING THE PARROT BEBOP 2 BATTERY

1. Take the plug (supplied) appropriate to your country and plug it into the charger.
2. Connect the supplied cable to the charger.
3. Connect the battery to the charger's cable, and then plug the charger into the mains. The warning light is red while charging and then turns green when the battery is charged. The battery charge time is approximately 55 minutes. Flying time is approximately 25 minutes.
  - N.B.: If the charger's warning light blinks red, contact Parrot after-sales or your dealer. For any questions relating to the battery visit [www.parrot.com/support](http://www.parrot.com/support)

## CHARGING PARROT SKYCONTROLLER 2

1. Take the adapter appropriate to your country and fix it on the charger.
2. Connect the charger cable to Parrot Skycontroller 2, then plug the charger into the mains. The charge time is approximately 1 hour 40 minutes for 4 hours of use.

# DOWNLOADING THE APPLICATIONS

Connect to App Store® or Google Play and download the free Pix4Dcapture and FreeFlight Pro applications. FreeFlight Pro is Parrot's official application enabling free drone flying.

Pix4Dcapture is the drone's automatic piloting application that optimizes automatic image recording to create 3D models with Pix4Dmodel software.

## ACTIVATING THE PIX4DMODEL LICENSE

When you launch the Pix4Dcapture application, you must create a Pix4D account.

- 1.** Launch the Pix4Dcapture application.
- 2.** Create a Pix4D account.
- 3.** Use the same login/ email address to activate the Pix4Dmodel license on the Website:  
    > <https://cloud.pix4d.com/license-redeem/>
- 4.** To activate your Pix4Dmodel license use the single use code supplied with Bebop-Pro 3D Modeling.

# PRE-FLIGHT CHECKS

## ⚠️ REGULATIONS

Parrot Bebop 2 must be used in compliance with current local regulations. The places where it is used must be suitable for manoeuvring in order to ensure the continuous safety of people, animals and property.

The use of Parrot Bebop 2 in certain public places (e.g., train stations, airports, etc.) or on public roads may be prohibited.

The pilot must keep continuous visual contact with Parrot Bebop 2 and control its trajectory.

Before flying your Parrot Bebop 2, seek information on restrictions on the use of wifi frequencies at your flight location. Certain frequencies may be restricted or prohibited. For instance, in some countries the use of the 5 GHz band for your Wi-Fi may be prohibited for outdoor locations.

In respect of the terms and conditions of image rights, refer to the "**General Information**" section.

## FLIGHT CONDITIONS TO BE COMPLIED WITH

 5 Conditions to be complied with, without fail.

1. Do not fly Parrot Bebop 2 at night.
2. Check the weather to ensure good flight and visual conditions. Do not use Parrot Bebop 2 if it is raining/snowing, if there is fog, or winds in excess of 8 meters per sec or 30 km/hr.
3. Do not fly the drone over water.
4. Make sure you have enough space available for Parrot Bebop 2 takeoffs and landings. Check the piece of land has no obstacle that might interfere with flight phases or prevent visual contact.
5. Make sure the flight altitude programmed in Pix4Dcapture (entered in relation to takeoff point) is sufficient to clear obstacles in the surrounding area.

## VERIFICATION OF PARROT BEBOP 2

Make sure that Parrot Bebop 2 has detected the GPS signal in FreeFlight Pro or Pix4Dcapture.

Make sure the Parrot Bebop 2 propellers are properly mounted and secured.

Make sure the Parrot Bebop 2 battery is charged.


Make sure you are in a wide open space.



# CONNECT THE DRONE TO PARROT SKYCONTROLLER 2

1. Set Parrot Bebop 2 on a flat surface.
2. Switch on your Parrot Bebop 2.
3. Press the Parrot Skycontroller 2 ON/OFF button to turn it on.
4. Wait patiently until the Parrot Skycontroller 2 warning light is steady green
  - > Your Parrot Skycontroller 2 is connected to Parrot Bebop 2.

## FIRST START


1. Turn on your Parrot Bebop 2 and connect your smartphone to the USB port of Parrot Skycontroller 2.
2. Launch the FreeFlight Pro application.
3. Select **Fly & Film**.
4. Press  **Settings**.
5. Select "Country" and select the "Outdoor" mode in the **Network Parameter Settings** of FreeFlight Pro.
  - > The settings are completed. It will be unnecessary to repeat this step.

## CALIBRATION

You are advised to calibrate the drone regularly with the FreeFlight Pro application.

If the application displays a window requesting drone calibration, follow the steps shown on the screen.

You can also calibrate the drone manually:

1. Select **Fly & Film** in the Freeflight Pro application.
2. Press  **Settings**, then **Piloting** and **Calibration**.
3. Follow the on-screen animation.
  - > The animation disappears when calibration is completed; you can then start the flight plan on Pix4Dcapture.

## IMPLEMENTING A FLIGHT PLAN WITH PIX4DCAPTURE

1. Turn on your Parrot Bebop 2 and connect your smartphone to the USB port of Parrot Skycontroller 2.
2. Launch the Pix4Dcapture application.
3. Create the flight plan to be implemented (refer to section **Create a flight plan**)
4. Press **START**.
  - > An automatic checklist is drawn up. If all the items have been validated the application proposes takeoff by pressing the green **takeoff button**.

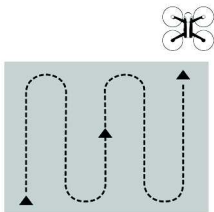
- Parrot Bebop 2 takes off, goes to the starting point of the flight plan and turns on the image recording procedure.
- Once Parrot Bebop 2's flight plan is completed it returns to the departure point defined on the flight plan and lands.

## CREATING A FLIGHT PLAN IN PIX4DCAPTURE

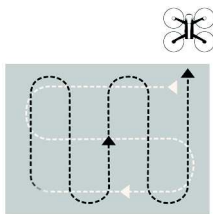
The Pix4Dcapture application proposes the selection of Parrot Bebop 2 in the list of drones for the first launch. You can then move on to editing the flight plan. You can also select the drone model in **Settings**.

You can create four types of flight plans for Parrot Bebop 2:

**Grid:** the drone performs a grid flight of the defined area according to the itinerary displayed on the screen. This flight plan is used to create a 3D image reconstruction of a piece of land.

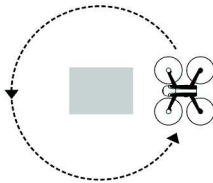


**Double grid\*:** the drone performs a grid flight of the area defined on the screen according to the double itinerary displayed. This flight plan is used to create a more detailed 3D image reconstruction of a piece of land.



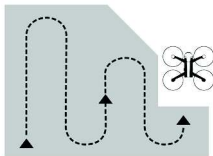
**Circular:** the drone performs a circular flight of the area defined on the screen according to the itinerary displayed. This flight plan is used to create a 3D image reconstruction of a building.

- Plan for sufficient space around the building to be recorded in order to ensure maximum quality of 3D reconstruction of facades.



**Polygon\*:** the drone performs a grid flight of the area drawn on the screen according to the itinerary displayed. This flight plan is used to create a 3D reconstruction of a complex shaped piece of land.

**FreeFlight\*\*:** the drone is manually piloted, image recording is automated. This flight plan is especially used to create a 3D reconstruction of a vertical surface.



\*: Currently available in the application on iOS only.

\*\* : Currently available in the application on Android™ only.

For more detailed information on flight plans and their creation go to the Pix4Dcapture support page:

**Android:**

<https://www.parrot.com/uk/pix4dcapture-android>

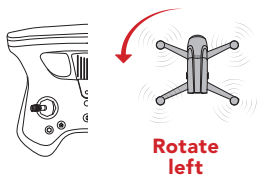
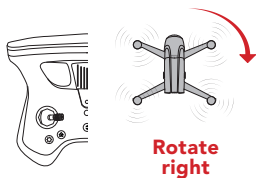
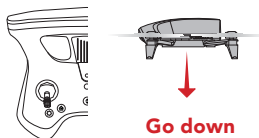
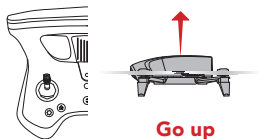
**iOS:**

<https://www.parrot.com/uk/pix4dcapture-ios>

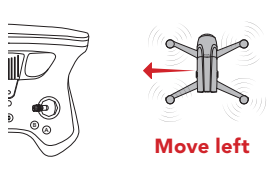
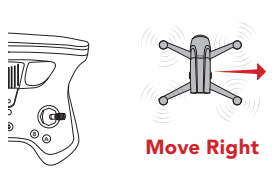
# FLYING

You can take over control of Parrot Bebop 2 at any time by using Parrot Skycontroller 2's levers.

## LEFT CONTROL STICK



## RIGHT CONTROL STICK




# PROCESSING PHOTOS WITH PIX4DMODEL

Once the recording mission is completed with Pix4D capture, 2 options are available for processing the recorded images:

- Processing from the mobile device.
- Processing from the online or offline computer.

## PROCESSING WITH MOBILE DEVICE WITH PIX4D CLOUD

Processing via the Pix4Dcapture application enables optimal processing. The application will propose the transfer of photos to the mobile devices's memory.

 The Pix4DModel license must be activated beforehand by using the same login as for the Pix4Dcapture application.

1. Download photos in .jpeg format via Pix4Dcapture from Parrot Bebop 2 on your mobile device by Wi-Fi®.
  - > You can check the quality of images on the mobile device before going online on Pix4D Cloud.
2. Transfer images to Pix4D Cloud via Pix4Dcapture.
  - > Check you have a stable Internet connection. We recommend the transfer of images by Wi-Fi to Pix4D Cloud.
3. An email is sent when photo processing starts.
4. A second email with an access link is sent when the processing of the batch of images is completed.



## PROCESSING ON COMPUTER

There are 2 processes for processing with computer. The first by using the Web browser, the second by installing the Pix4Dmodel software on the computer.

To do this, you must first copy the images into the memory of Parrot Bebop 2 by connecting the latter to the computer via the USB cable supplied then by pressing On/Off.

Via the Web browser:

1. Visit <https://cloud.pix4d.com>
2. Log in to your account.
3. Drag-drop the photos to be processed in the section **Upload new dataset**.

Via the Pix4Dmodel software:

You can download the Pix4Dmodel software for the processing of images recorded on the computer without an Internet connection. The software is available in several languages.

- > You can recover processed photos one by one.
- > For more detailed information visit:  
<http://www.pix4d.com> and <https://support.pix4d.com>

## GENERAL INFORMATION

### **WARNING REGARDING PRIVACY AND RESPECT FOR PROPERTY**

Recording and broadcasting an individual's image and voice without their permission may constitute an invasion of privacy and you may be held liable.

Ask for permission before filming and recording an individual's voice, particularly if you would like to save your recordings and/or broadcast them on the Internet.

You must not disseminate degrading images or those that can violate a person's reputation or dignity

Recording and disseminating images of property without the permission of the owner can constitute infringement of the right to images of property and you could be held liable; request the owner's permission before filming property.

### **BATTERY (PARROT SKYCONTROLLER 2/PARROT BEBOP 2)**

**WARNING:** Failure to follow all the instructions may result in serious injury, irreparable damage to the battery and may cause a fire, smoke or explosion.

Always check the battery's condition before charging or using it. Replace the battery if it has been dropped, or in case of odour, overheating, discoloration, deformation or leakage. Never use anything other than the approved LiPo charger to charge the battery. Always use a balancing charger for LiPo cells or a LiPo cell balancer. It is recommended that you do not use any other charger than the one provided with the product. Never trickle charge or charge under 2.5 V per cell. The battery temperature must never exceed

60 °C (140 °F) otherwise the battery could be damaged or ignite. Never charge on a flammable surface, near flammable products or inside a vehicle (preferably place the battery in a non-flammable and non-conductive container). Never leave the battery unattended during the charging process. Never disassemble or modify the housing's wiring, or puncture the cells. Always ensure that the charger output voltage corresponds to the voltage of the battery. Do not short circuit the batteries. Never expose the LiPo battery to moisture or direct sunlight, or store it in a place where temperatures could exceed 60 °C (car in the sun, for example). Always keep it out of reach of children.

### **WARRANTY**

For the warranty conditions, please read the Terms and Conditions of sale of the retailer where you purchased the Parrot Skycontroller 2/Parrot Be-bop 2.

## HOW TO RECYCLE THIS PRODUCT



This symbol on the product or its documentation indicates that it must not be disposed of with household waste. Uncontrolled waste disposal may harm the environment or human health. Please separate your device from other types of waste to recycle it responsibly. This will help to foster the sustainable re-use of material resources. We invite you to contact your retailer or your town hall to seek information as to ways of recycling Parrot Bebop-Pro 3D Modeling and Parrot Skycontroller 2.

### DECLARATION OF CONFORMITY UE (PARROT SKYCONTROLLER 2)

This device can be used in: DE, AT, BE, BG, CY, HR, DK, ES, EE, FI, FR, GR, HU, IR, IT, LV, LT, LU, MT, NL, PL, PT, CZ, RO, GB, SK, SI, SE.

Parrot DRONES, 174 quai de Jemmapes, 75010 Paris, France, hereby declares that it is solely responsible for the compliance of the product described in this user guide with technical standards, EN 301489-17, EN300328, EN71-1, EN71-2, EN71-3, EN62115, EN 50566: 2013 (SAR) under the provisions of the Radio Equipment Directive (RED) 2014/53/EU and the General Product Safety Directive 2014/35/EU. <http://www.parrot.com/uk/ce/?skycontroller-2>

### DECLARATION OF CONFORMITY UE (PARROT BEBOP 2)

his equipment may be operated in: DE, AT, BE, BG, CY, HR, DK, ES, EE, FI, FR, GR, HU, IE, IT, LV, LT, LU, MT, NL, PL, PT, CZ, RO, GB, SK, SI, SE.

The restriction concerns only the first sub-band of the 5 GHz band (5150-5250 MHz) for an outdoor use within the member states of the European Union.

Parrot Drones SAS, 174 quai de Jemmapes, 75010 Paris, France, declare under their sole responsibility that the product described in this user guide complies with technical standards EN 301489-1, EN 301489-3, EN 301489-17, EN 62311, EN300328, EN301893, EN300 440-2, EN71-1, EN71-2, EN62115, EN50581 following the provision of the Radio Equipment, Telecommunication Equipment directive (1999/5/EC R&TTE), and of the General Safety directive (2001/95/EC) and of ROHS directive 2011/65/EC. <http://www.parrot.com/uk/ce/?bebop-2>

### DECLARATION OF CONFORMITY IN USA/CANADA (PARROT BEBOP 2/PARROT SKYCONTROLLER 2)

This equipment has been tested and found to comply with the limits for a Class B Digital Device, pursuant to Part 15 of the FCC Rules / with Industry Canada Licence-exempt RSS standard(s). These limits are designed to provide reasonable protection against harmful interference in a residential installation. This equipment generates, uses and can radiate radio frequency energy and, if not installed and used in accordance with the instructions, may cause harmful interference to radio communications. However, there is no guarantee that interference will not occur in a particular installation. If this equipment does cause harmful interference to radio or television re-

ception, which can be determined by turning the equipment off and on, the user is encouraged to try to correct the interference by one or more of the following measures: Reorient or relocate the receiving antenna. Increase the distance between the equipment and receiver. Connect the equipment to an outlet on a circuit different from that to which the receiver is connected. Consult the dealer or an experienced radio/TV technician for help.

This equipment complies with Part 15 of the FCC Rules / with Industry Canada Licence exempt RSS standard(s). Operation is subject to the following two conditions: This equipment may not cause harmful interference.

This equipment must accept any interference received, including interference that may cause undesired operation.

Modifications not authorized by the manufacturer may void the user's authority to operate this device.

Caution: Exposure to Radio Frequency Radiation

The installer of this radio equipment must ensure that the antenna is located or pointed such that it does not emit RF field in excess of Health Canada limits for the general population; consult Safety Code 6, obtainable from Health Canada's website at <http://www.hc-sc.gc.ca>

The user is required to apply for Localised Radiocomm Station Licence in Singapore. Applicants can apply online for the Localised Radio-communication Station Licence through [www.business.gov.sg/licences](http://www.business.gov.sg/licences).

## FCC

Changes or modifications not expressly approved by the party responsible for compliance could void the user's authority to operate the equipment.

This equipment has been tested and found to comply with the limits for a Class B digital device, pursuant to part 15 of the FCC Rules. These limits are designed to provide reasonable protection against harmful interference in a residential installation. This equipment generates, uses and can radiate radio frequency energy and, if not installed and used in accordance with the instructions, may cause harmful interference to radio communications. However, there is no guarantee that interference will not occur in a particular installation. If this equipment does cause harmful interference to radio or television reception, which can be determined by turning the equipment off and on, the user is encouraged to try to correct the interference by one or more of the following measures:

—Reorient or relocate the receiving antenna.

—Increase the separation between the equipment and receiver.

—Connect the equipment into an outlet on a circuit different from that to which the receiver is connected.

—Consult the dealer or an experienced radio/TV technician for help.

THIS DEVICE COMPLIES WITH PART 15 OF THE FCC RULES AND INDUSTRY CANADA LICENSE-EXEMPT RSS STANDARD(S).

Operation is subject to the following two conditions:

1. This device may not cause harmful interference, and

2. This device must accept any interference received, including interference that may cause undesired operation of the device.

## TRADEMARKS

Parrot and the Parrot logo are Parrot SA trademarks used under license. Parrot Bebop-Pro 3D modeling, Parrot Bebop 2 and Parrot Skycontroller 2 and their logos are Parrot Drones SAS trademarks.

App Store is a trademark of Apple Inc.

App Store is a trademark of Apple Inc.

Pix4Dcapture is a trademark of Pix4D.

Wi-Fi® is a registered trademark of the Wi-Fi Alliance®.

All other products, trademarks and intellectual property rights mentioned in this guide are the property of their respective owners.

## MANUFACTURER INFORMATION

Parrot Bebop 2 and Parrot Skycontroller 2 are manufactured by: PARROT DRONES SAS - 174 Quai de Jemmapes - 75010 Paris (France) - Corporate and Trade Register Paris 808 408 074

[www.influe.com](http://www.influe.com)






Votre *Parrot Bebop-Pro 3D Modeling™* contient les éléments suivants :

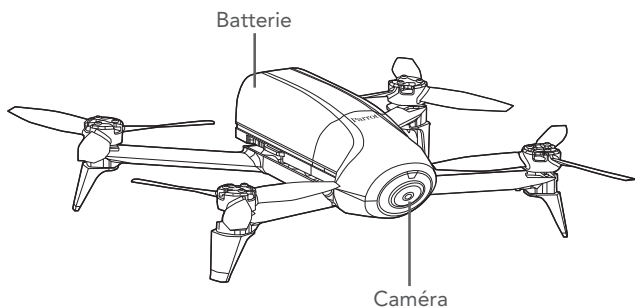
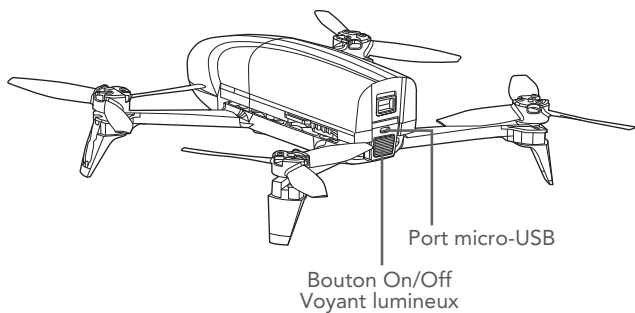
- 1.** Un drone « *Parrot Bebop 2* »™ ;
- 2.** Une manette « *Parrot Skycontroller 2* »™. Vous pouvez piloter votre *Parrot Bebop 2* en téléchargeant sur votre smartphone ou tablette l'application *FreeFlight Pro™*. Cette application est gratuite mais peut contenir des In-App Purchase ; et
- 3.** Une licence gratuite, d'une durée d'un an et pour le monde entier, pour le logiciel *Pix4Dmodel™* qui vous permet d'obtenir les modèles 3D à partir des captures d'images réalisées via votre application gratuite *Pix4Dcapture™* à télécharger sur smartphone ou tablette.

# AVERTISSEMENT

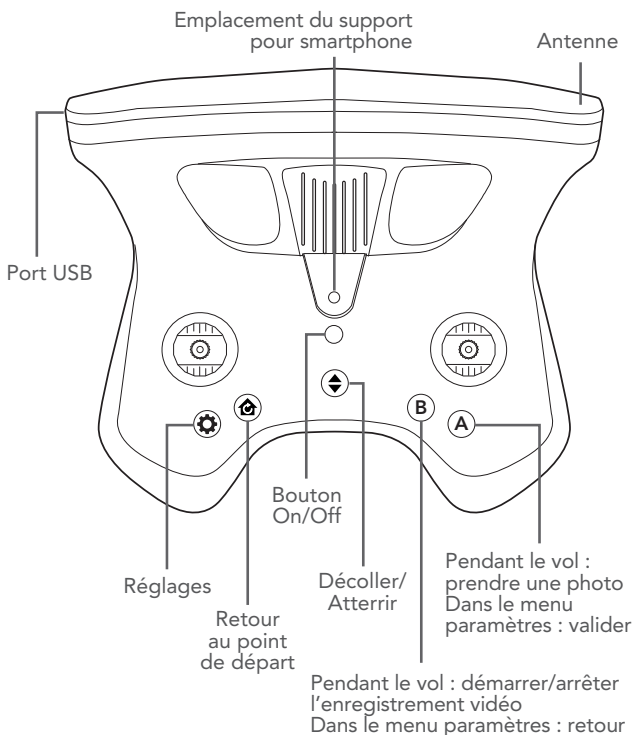
1. *Parrot Bebop 2™* N'EST PAS UN JOUET. Il ne doit donc pas être utilisé ou manipulé par un enfant âgé de moins de 14 ans.
2. AVANT TOUTE UTILISATION du Parrot Bebop 2 :
  - (a) LISEZ ATTENTIVEMENT ce Guide d'Utilisation Rapide ainsi que toutes les informations et documentations disponibles sur [www.parrot.com/support](http://www.parrot.com/support), qui peuvent être mises à jour à tout moment et sans avertissement préalable (ci-après « **Documentation de Parrot** »). Une ATTENTION PARTICULIERE doit être prêtée aux paragraphes contenant le symbole  ;
  - (b) INFORMEZ-VOUS SUR LES REGLEMENTATIONS APPLICABLES CONCERNANT L'UTILISATION DES DRONES ET DE LEURS ACCESSOIRES (ci-après « **Règlementations Applicables** ») ; et
  - (c) AYEZ A L'ESPRIT que le Parrot Bebop 2 est susceptible d'exposer les autres et vous-même à DES DOMMAGES MATERIELS ET/OU CORPORELS, pouvant notamment entraîner des blessures graves voire mortelles.
3. Veuillez noter que les vidéos et photos qui font l'objet de promotions et campagnes publicitaires par Parrot Drones SAS et ses filiales ont été réalisées par et avec des professionnels et des pilotes expérimentés. MERCI DE TOUJOURS VOUS REFERER AUX DERNIERES MISES A JOUR DE LA DOCUMENTATION DE PARROT EN CAS DE DOUTE RELATIF A L'UTILISATION DE VOTRE PARROT BEBOP 2 ET DE SES ACCESSOIRES.
4. **DANS LES LIMITES DU DROIT APPLICABLE, PARROT DRONES SAS, SES FILIALES, ET LEURS DISTRIBUTEURS ET DETAILLANTS RESPECTIFS NE SAURAIENT ETRE TENUS RESPONSABLES POUR TOUT PREJUDICE RESULTANT OU EN LIEN AVEC LE NON RESPECT DE LA DOCUMENTATION DE PARROT OU DES REGLEMENTATIONS APPLICABLES PAR VOUS-MEME OU PAR TOUTE PERSONNE UTILISANT VOTRE PARROT BEBOP 2.**



# PRÉSENTATION DU PARROT BEBOP 2



# PRÉSENTATION DU PARROT SKYCONTROLLER 2




# DÉMARRAGE RAPIDE

Ce guide vous permettra de prendre en main rapidement le Parrot Bebop 2. Pour des informations plus complètes, regardez nos vidéos et consultez la section Support de notre site [www.parrot.com/support/](http://www.parrot.com/support/)

## CHARGER LA BATTERIE DU PARROT BEBOP 2

1. Sélectionnez la prise (fournie) correspondante à votre pays et insérez-la sur le chargeur.
2. Connectez le câble fourni au chargeur.
3. Branchez la batterie au câble du chargeur puis branchez le chargeur sur le secteur. Le voyant lumineux est rouge pendant la charge puis passe au vert lorsque la batterie est chargée. Le temps de charge de la batterie est d'environ 55 minutes. Le temps de vol est d'environ 25 minutes.

➤ Note : si le voyant lumineux du chargeur clignote rouge, contactez le service client Parrot ou votre revendeur.

 Pour toute question relative à la batterie, rendez-vous sur [www.parrot.com/support](http://www.parrot.com/support)

## CHARGER LE PARROT SKYCONTROLLER 2

1. Sélectionnez l'adaptateur correspondant à votre pays et fixez-le sur le chargeur.

2. Connectez le câble du chargeur au Parrot Skycontroller 2, puis branchez le chargeur au secteur. Le temps de chargement est d'environ 1h40 pour 4 heures d'utilisation.

## TÉLÉCHARGER LES APPLICATIONS

Connectez-vous sur l'App Store® ou sur Google Play et téléchargez les applications gratuites Pix4Dcapture et FreeFlight Pro.

FreeFlight Pro est l'application officielle de Parrot permettant le pilotage libre du drone.

Pix4Dcapture est l'application de pilotage automatique du drone qui optimise la capture automatique des images pour créer des modèles 3D avec le logiciel Pix4Dmodel.

## ACTIVER LA LICENCE PIX4DMODEL

Lors du lancement de l'application Pix4Dcapture, vous devrez créer un compte Pix4D.

1. Lancez l'application Pix4Dcapture.
2. Créez un compte Pix4D.
3. Utilisez le même login/adresse email pour activer la licence Pix4Dmodel sur le site internet :
  - > <https://cloud.pix4d.com/license-redeem/>
4. Pour activer votre licence Pix4Dmodel utilisez le code à usage unique fournis avec le Bebop-Pro 3D Modeling.

# VÉRIFICATIONS AVANT VOL

## ⚠ RÉGLEMENTATION

Le Parrot Bebop 2 doit être utilisé conformément à la réglementation locale en vigueur. Les lieux d'utilisation doivent être adaptés à son évolution pour assurer en permanence la sécurité des personnes, des animaux et des biens.

L'utilisation du Parrot Bebop 2 dans certains lieux du domaine public (par ex: gare, aéroport,...) ou sur la voie publique peut ne pas être autorisée.

Le pilote doit, à tout instant, conserver un contact visuel avec le Parrot Bebop 2 et contrôler sa trajectoire.

Avant de piloter votre Parrot Bebop 2, renseignez-vous sur les restrictions d'utilisation des fréquences Wi-Fi de votre lieu de vol. Certaines fréquences peuvent être restreintes ou interdites. Dans certains pays, par exemple, l'utilisation de la bande Wi-Fi 5 GHz peut être interdite en extérieur.

Pour les conditions concernant le droit à l'image, référez-vous à la section « **Informations Générales** ».

## CONDITIONS DE VOL À RESPECTER

 5 Conditions à respecter impérativement.

1. Ne pilotez pas le Parrot Bebop 2 de nuit.
2. Vérifiez les conditions météorologiques afin de garantir de bonnes conditions de vol et de prise de vue. N'utilisez pas le Parrot Bebop 2 par temps de pluie, de brouillard, de neige ou de vent de plus de 8 mètres par seconde ou 30 km/h.
3. Ne volez pas au-dessus de l'eau.
4. Assurez-vous que vous disposez d'un espace suffisant pour le décollage et l'atterrissage du Parrot Bebop 2. Vérifiez que le terrain de vol ne comporte pas d'obstacle qui pourrait gêner le bon déroulement du vol ou empêcher de garder le drone à vue.
5. Veillez à ce que l'altitude de vol programmé sur Pix4Dcapture (prise par rapport au point de décollage) soit suffisante pour éviter les obstacles aux alentours.

## VÉRIFICATION DU PARROT BEBOP 2

Assurez-vous que le Parrot Bebop 2 a détecté le signal GPS sur FreeFlight Pro ou Pix4Dcapture.

Assurez-vous que les hélices du Parrot Bebop 2 sont correctement montées et fixées.

Assurez-vous que la batterie du Parrot Bebop 2 est chargée.

Assurez-vous que vous vous trouvez dans un lieu dégagé.

## CONNECTER LE DRONE AU PARROT SKYCONTROLLER 2

1. Posez le Parrot Bebop 2 sur une surface plane.
2. Allumez votre Parrot Bebop 2.
3. Appuyez sur le bouton d'allumage du Parrot Skycontroller 2 pour l'allumer.
4. Patientez jusqu'à ce que le voyant lumineux du Parrot Skycontroller 2 soit vert fixe.
  - > Votre Parrot Skycontroller 2 est connecté au Parrot Bebop 2.

## PREMIER DÉMARRAGE


1. Allumez votre Parrot Bebop 2 et connectez votre smartphone au port USB du Parrot Skycontroller 2.
2. Lancez l'application FreeFlight Pro.
3. Sélectionnez **Fly & Film**.
4. Appuyez sur  **Réglages**.

5. Sélectionnez le «Pays» et sélectionnez le mode «Extérieur» dans les **Paramètres Réseaux** de FreeFlight Pro.
  - > Les réglages sont effectués. Il ne sera pas nécessaire de répéter cette étape.

## CALIBRATION

Il est recommandé d'effectuer la calibration du drone périodiquement avec l'application FreeFlight Pro. Si l'application affiche une fenêtre demandant la calibration du drone, suivez les étapes à l'écran.

Vous pouvez aussi procéder manuellement la calibration du drone :

1. Sélectionnez **Fly & Film** dans l'application Freeflight Pro.
2. Appuyez sur  **Réglages**, puis **Pilotage** et **Calibration**.
3. Suivez l'animation à l'écran.
  - > L'animation disparaît lorsque la calibration est terminée, vous pouvez démarrer le plan de vol sur Pix4Dcapture.

## EXÉCUTER UN PLAN DE VOL AVEC PIX4DCAPTURE

1. Allumez votre Parrot Bebop 2 et connectez votre smartphone au port USB du Parrot Skycontroller 2.



2. Lancez l'application Pix4Dcapture.
3. Créez le plan de vol à effectuer (voir la section **Créer un plan de vol**)
4. Appuyez sur **START**.
  - Une checklist automatique est exécutée. Si tous les points ont été validés l'application propose le décollage en pressant le bouton vert **takeoff**.
  - Le Parrot Bebop 2 décolle, se rend au point de démarrage du plan de vol et démarre la capture.
  - Une fois le plan de vol terminé le Parrot Bebop 2 revient au point de départ défini sur le plan de vol et atterrit.

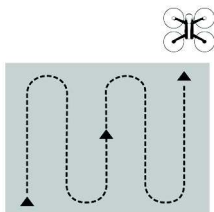
## CRÉER UN PLAN DE VOL SUR PIX4DCAPTURE

L'application Pix4Dcapture propose de choisir le Parrot Bebop 2 dans la liste des drones lors du premier lancement.

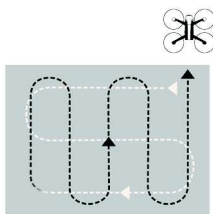
Vous pouvez passer ensuite à l'édition du plan de vol. Vous pouvez aussi sélectionner le modèle de drone dans **Settings**.

Vous pouvez créer quatre types de plan de vol pour le Parrot Bebop 2 :

**Grid** : le drone quadrille la zone définie selon le parcours affiché à l'écran. Ce plan de vol est utilisé pour avoir une reconstruction 3D d'un terrain.

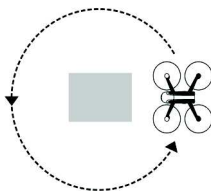


**Double grid** \*: le drone quadrille la zone définie à l'écran selon le double parcours affiché. Ce plan de vol est utilisé pour une reconstruction 3D plus détaillée d'un terrain.

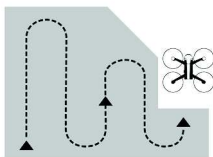


**Circular** : le drone encercle la zone définie à l'écran selon le parcours affiché. Ce plan de vol est utilisé pour une reconstruction 3D d'un bâtiment.

- Prévoyez une marge autour du bâtiment à capturer afin de maximiser la qualité de la reconstruction des façades.



**Polygon \***: le drone quadrille l'aire dessinée à l'écran selon le parcours affiché. Ce plan de vol est utilisé pour une reconstruction 3D sur un terrain de forme complexe.



**FreeFlight \*\***: le drone est piloté manuellement, la prise de vue est automatisée. Ce plan de vol est notamment utilisé pour une reconstruction 3d d'une surface verticale.

\* : Dans l'application actuellement disponible sur iOS uniquement.

\*\* : Dans l'application actuellement disponible sur Android™ uniquement.

Pour plus d'informations sur les plans de vol et leur création, consultez la page support de Pix4Dcapture :

**Android :**

<https://www.parrot.com/uk/pix4dcapture-android>

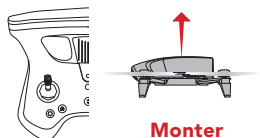
**iOS :**

<https://www.parrot.com/uk/pix4dcapture-ios>

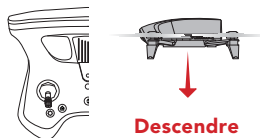
# PILOTER

A tout moment vous pouvez reprendre le contrôle du Parrot Bebop 2 en actionnant une manette du Parrot Skycontroller 2.

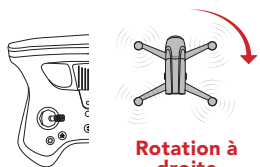
## COMMANDE GAUCHE



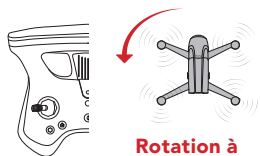
**Monter**



**Descendre**

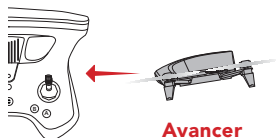


**Rotation à droite**

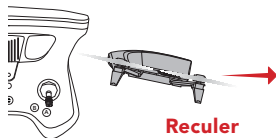


**Rotation à gauche**

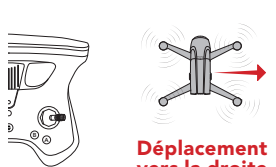
## COMMANDE DROITE



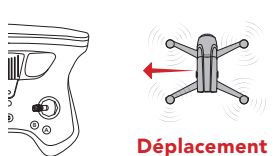
**Avancer**



**Reculer**



**Déplacement vers la droite**



**Déplacement vers la gauche**

# TRAITEMENT DES PHOTOS AVEC PIX4DMODEL

Une fois la mission de capture terminée avec Pix4D capture, 2 options sont disponibles pour le traitement des images obtenues:

- Traitement depuis l'appareil mobile.
- Traitement depuis l'ordinateur en ligne ou déconnecté.

## TRAITEMENT SUR APPAREIL MOBILE AVEC PIX4D CLOUD

Le traitement via l'application Pix4Dcapture permet un traitement optimal. L'application proposera le transfert des photos sur la mémoire de l'appareil mobile.

**⚠ La license Pix4DModel doit être préalablement activée de préférence en utilisant le même login que pour l'application Pix4Dcapture.**

- 1.** Télécharger les photos en format .jpeg via Pix4Dcapture depuis le Parrot Bebop 2 sur votre appareil mobile en Wi-Fi®.
  - Vous pouvez vérifier la qualité des images sur l'appareil mobile avant de procéder à la mise en ligne sur Pix4D Cloud.
- 2.** Transférez les images sur Pix4D Cloud via Pix4Dcapture.
  - Vérifiez que vous avez une connexion internet stable. Nous recommandons de transférer les images via Wi-Fi sur Pix4D Cloud.
- 3.** Un e-mail est envoyé lorsque le traitement des photos démarre.

4. Un deuxième e-mail avec un lien d'accès est envoyé lorsque le traitement du lot d'images est terminé.

## TRAITEMENT SUR ORDINATEUR

Il existe 2 processus de traitement avec un ordinateur. La première en utilisant le navigateur web, la seconde en installant le logiciel Pix4Dmodel sur ordinateur :

Pour cela, il convient au préalable de copier les images dans la mémoire du Parrot Bebop 2 en connectant ce dernier à l'ordinateur via le câble USB fournis puis en appuyant sur le bouton On/Off.

Via le navigateur web :

1. Rendez-vous sur <https://cloud.pix4d.com>
2. Connectez-vous à votre compte.
3. Glissez-déposez les photos destinées au traitement dans la section **Upload new dataset**.

Via le logiciel Pix4Dmodel :

Il est possible de télécharger le logiciel Pix4Dmodel pour un traitement des images capturées sur ordinateur sans connexion internet. Le logiciel est disponible en plusieurs langues.

- > Il est possible de récupérer des photos traitées individuellement.
- > Pour plus d'informations rendez-vous sur :  
<http://www.pix4d.com> et <https://support.pix4d.com>

## INFORMATIONS GÉNÉRALES

### MISE EN GARDE CONCERNANT LE RESPECT DE LA VIE PRIVÉE ET LE RESPECT DES BIENS

Enregistrer et diffuser l'image et la voix d'une personne sans son autorisation peut constituer une atteinte à sa vie privée et être susceptible d'engager votre responsabilité.

Demandez l'autorisation avant de filmer et d'enregistrer la voix des personnes, notamment, si vous souhaitez conserver vos enregistrements et/ou diffuser sur Internet.

Ne diffusez pas d'images dégradantes ou pouvant porter atteinte à la réputation ou à la dignité d'une personne

Enregistrer et diffuser l'image d'un bien sans l'autorisation de son propriétaire peut constituer une atteinte au droit à l'image du bien et être susceptible d'engager votre responsabilité ; demandez l'autorisation à son propriétaire avant de filmer un bien.

### BATTERIE (PARROT SKYCONTROLLER 2 ET PARROT BEBOP 2)

**ATTENTION** : Le non-respect de l'ensemble des instructions peut provoquer des blessures graves, endommager de façon irréversible la batterie et provoquer un incendie, un dégagement de fumée ou une explosion.

Toujours vérifier l'état de la batterie avant de la charger ou de l'utiliser. Remplacer la batterie si elle a subi un choc, ou en cas d'odeur, de surchauffe, de décoloration, de déformation ou de fuite. Ne jamais rien utiliser pour charger la batterie à l'exception d'un chargeur approuvé LiPo. Toujours utiliser un chargeur à équilibrage de cellules LiPo ou un équilibreur de cellules LiPo. Il est recommandé de ne pas utiliser un autre chargeur que celui fourni avec le produit. Ne jamais effectuer de chargement à régime lent, ou en dessous de 3 V par cellule. La température de la batterie ne doit jamais excéder les 60 °C (140 °F) sinon la batterie pourrait être endommagée ou s'enflammer. Ne jamais effectuer de charge sur un support inflammable, à proximité de produits inflammables ou à l'intérieur d'un véhicule (placer de préférence la batterie dans un récipient non inflammable et non conducteur). Ne jamais laisser la batterie sans surveillance durant le processus de charge. Ne jamais désassembler ou modifier le câblage du boîtier, ou percer les cellules. Toujours s'assurer que la tension de sortie du chargeur corresponde à la tension de la batterie. Ne pas mettre de batteries en court-circuit. Ne jamais exposer la batterie LiPo à l'humidité ou directement au soleil, ou dans un endroit où la température peut dépasser 60°C (voiture en plein soleil par exemple). **Toujours tenir hors de portée des enfants.**

### GARANTIE

Pour connaître les conditions de garantie, merci de vous référer aux conditions générales de vente du revendeur auprès de qui vous avez acheté le Parrot Skycontroller 2 et le Parrot Bebop 2.



## COMMENT RECYCLER CE PRODUIT



Ce symbole sur le produit ou sa documentation indique qu'il ne doit pas être éliminé en fin de vie avec les autres déchets ménagers. L'élimination incontrôlée des déchets pouvant porter préjudice à l'environnement ou à la santé humaine, veillez à le séparer des autres types de déchets et le recycler de façon responsable. Vous favoriserez ainsi la réutilisation durable des ressources matérielles. Nous vous invitons à contacter votre revendeur ou à vous renseigner auprès de votre mairie afin de savoir où et comment le Parrot Bebop-Pro 3D Modeling et le Parrot Skycontroller 2 peuvent être recyclés.

### DÉCLARATION DE CONFORMITÉ UE (PARROT SKYCONTROLLER 2)

Le Parrot Skycontroller 2 peut être utilisé en : DE, AT, BE, BG, CY, HR, DK, ES, EE, FI, FR, GR, HU, IR, IT, LV, LT, LU, MT, NL, PL, PT, CZ, RO, GB, SK, SI, SE.

Parrot DRONES, 174 quai de Jemmapes, 75010 Paris, France, déclare sous son unique responsabilité que le produit décrit dans le présent guide utilisateur est en conformité avec les normes techniques, EN 301489-17, EN300328, EN71-1, EN71-2, EN71-3, EN62115, EN 50566 : 2013 (SAR) suivant les dispositions de la directive RED 2014/53/UE et la directive de sécurité générale de produits 2014/35/EU.

<http://www.parrot.com/ce/?skycontroller-2>

### DÉCLARATION DE CONFORMITÉ UE (PARROT BEBOP 2)

Cet appareil peut être utilisé en : DE, AT, BE, BG, CY, HR, DK, ES, EE, FI, FR, GR, HU, IE, IT, LV, LT, LU, MT, NL, PL, PT, CZ, RO, GB, SK, SI, SE.

La restriction de l'utilisation en extérieur dans les pays membres de l'Union Européenne ne concerne que la première sous bande de la bande 5Ghz (5150-5250MHz).

Parrot Drones SAS, 174 quai de Jemmapes, 75010 Paris, France, déclare sous son unique responsabilité que le produit décrit dans le présent guide utilisateur est en conformité avec les normes techniques, EN 301489-1, EN 301489-3, EN 301489-17, EN 62311, EN300328, EN301893, EN300 440-2, EN71-1, EN71-2, EN62115, EN50581 suivant les dispositions de la directive R&TTE 1999/5/CE, la directive de sécurité générale de produits 2001/95/CE et la directive ROHS 2011/65/CE.

<http://www.parrot.com/fr/ce/?bebop-2>

### DÉCLARATION DE CONFORMITÉ CANADA (PARROT SKYCONTROLLER 2)

Le Parrot Skycontroller 2 est conforme aux CNR d'Industrie Canada applicables aux appareils radio exempts de licence. L'exploitation est autorisée aux deux conditions suivantes : (1) l'appareil ne doit pas produire de brouillage, et (2) l'utilisateur de l'appareil doit accepter tout brouillage radioélectrique subi, même si le brouillage est susceptible d'en compromettre le fonctionnement.

## DÉCLARATION DE CONFORMITÉ CANADA (PARROT BEBOP 2)

Le présent appareil est conforme aux CNR d'Industrie Canada applicables aux appareils radio exempts de licence. L'exploitation est autorisée aux deux conditions suivantes : (1) l'appareil ne doit pas produire de brouillage, et (2) l'utilisateur de l'appareil doit accepter tout brouillage radioélectrique subi, même si le brouillage est susceptible d'en compromettre le fonctionnement. Cet appareil numérique de la classe B est conforme à la norme NMB-003 du Canada.

### FCC/IC

Pour répondre aux exigences relatives à l'exposition RF de la FCC/IC pour les appareils de transmission, une distance d'au moins 20cm doit être maintenue entre l'antenne du produit et les personnes. Pour assurer la conformité, l'utilisation à une distance inférieure n'est pas recommandée.

Le présent appareil est conforme à la partie 15 du CNR d'Industrie Canada applicables aux appareils radio exempts de licence.

L'exploitation est autorisée aux deux conditions suivantes :

1. L'appareil ne doit pas produire de brouillage ;
2. L'utilisateur de l'appareil doit accepter tout brouillage radioélectrique subi, même si le brouillage est susceptible d'en compromettre le fonctionnement.

Ce dispositif mobile muni d'une antenne répond aux limites de la FCC sur l'exposition aux rayonnements établies pour un environnement non-contrôlé. Ce dispositif répond aux limites du débit d'absorption spécifique (DAS) de la FCC. Pour en garantir la conformité, respectez les instructions suivantes : cet émetteur ne doit pas être co-utilisé ou fonctionner en même temps qu'une autre antenne ou qu'un émetteur.

### MARQUES

Parrot et le logo Parrot sont des marques de Parrot SA utilisées sous licence Parrot Bebop-Pro 3D modeling, Parrot Bebop 2, Parrot Skycontroller 2 et leurs logos sont des marques de Parrot Drones SAS.

App Store est une marque de service d'Apple Inc.

Google Play est une marque de Google Inc.

Pix4Dcapture est une marque de Pix4D.

Wi-Fi® est une marque enregistrée de Wi-Fi Alliance®.

Tous les autres produits, marques et droits de propriétés intellectuelles mentionnés dans ce guide sont la propriété de leurs titulaires respectifs.

### INFORMATIONS FABRIQUANT

Le Parrot Bebop 2 et le Parrot Skycontroller 2 sont fabriqués par : PARROT DRONES SAS - 174 Quai de Jemmapes - 75010 Paris (France) - RCS Paris 808 408 074

[www.parrot.com](http://www.parrot.com)

