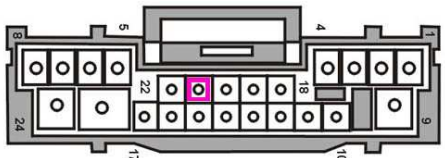
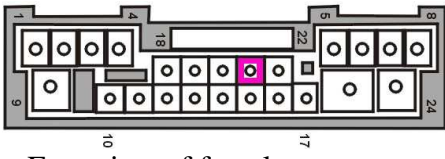


## 5

## Mazda protocol configuration

The wires corresponding to the Mazda protocol configuration must be connected correctly to your car stereo's information. It is important to follow the wiring diagram for your vehicle. We would advise our customers to have the interface fitted by a professional.

N°	Color		Connectors
21	Purple	V1	 <p>Rear view of male connector</p>  <p>Front view of female connector</p>

Connect the purple wire corresponding to V1 to pin 21.  
 Connect the white wire corresponding to V2 to ground plug.

