
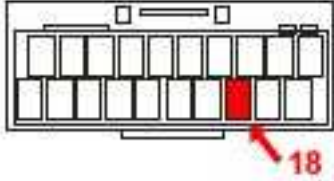

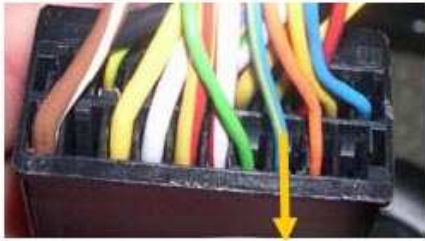
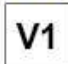


5

Jaguar protocol configuration

The wires corresponding to the Jaguar protocol configuration must be connected correctly to your car stereo's information. It is important to follow the wiring diagram for your vehicle. We would advise our customers to have the interface fitted by a professional.

N°		Color	Function	Connectors
18		Purple	V1	
-		White	V2	 

- **Connect the purple wire corresponding to V1 to pin 18.**
- **Connect the white wire corresponding to V2 to the black wire of the Multicomm harness.**