

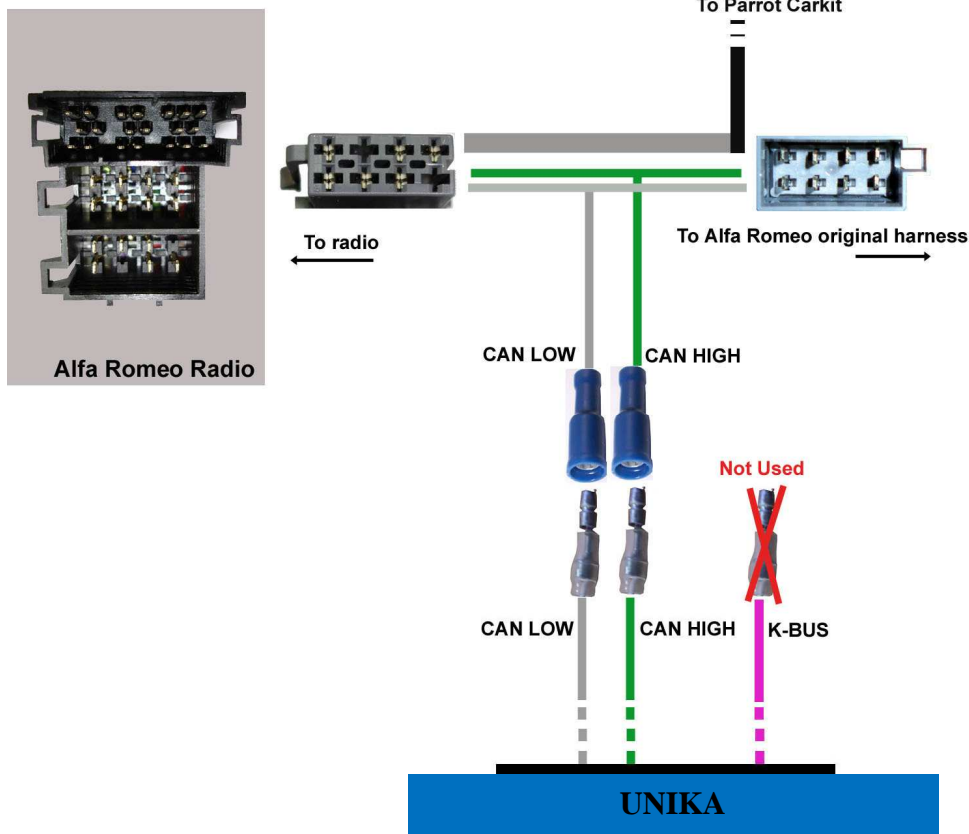


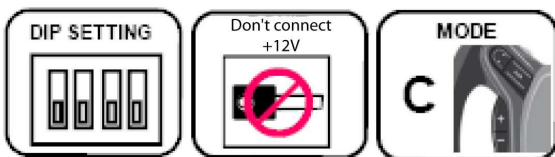
CAN Configuration Alfa Romeo

The wires corresponding to the CAN protocol must be connected correctly to your car stereo's CAN information. It is important to follow the wiring diagram for your vehicle. We would advise our customers to have the interface fitted by a professional.

N°	Color	Description
5	Green	CAN High
6	White	CAN Low
Not used	Violet	K-BUS

Connect the white wire corresponding to CAN Low to pin 6.
Connect the green wire corresponding to CAN High to pin 5.



If your car stereo supports mute signal management, then your actions on the steering wheel commands while using a Parrot MKi will not be taken into account by the car stereo. To find out the mute position of your car stereo, refer to the documentation of your device or contact the car manufacturer.