

# Parrot UNIKA for Mazda

Parrot UNIKA is a universal interface that allows you to control the Parrot RKi8400 directly with the OEM steering wheel commands. Parrot UNIKA can work with car protocols such as CAN, KBUS or resistive systems.

## Installation

Compatibility	Mazda 2: > 2006
Car models	Mazda 3: > 2006
	Mazda 5: > 2006
	Mazda CX-7: > 2007



Parrot reference	For Parrot RKi8400 Parrot UNIKA : <b>PI090020AB</b>
------------------	--



## Installation of the Parrot RKi

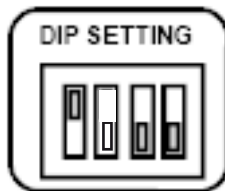
We recommend you to install the Parrot RKi before installing the UNIKA. Make sure the installation is correctly performed by checking if the «Good bye» message is displayed when you turn off the ignition.

► *Refer to the documentation of your Parrot RKi for more information.*

## Selecting the protocol

Use the DIP switches located on one side of the UNIKA to select the protocol (resistive or CAN Bus / KBus) on which the vehicle is based.

**Warning:** *Make sure the UNIKA is not powered before selecting the protocol.*

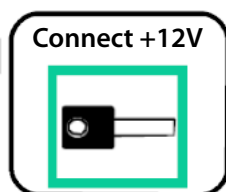


For your car set the DIP this way.

## Installing the UNIKA with the Parrot RKi8400

- Replace the MKi part on the UNIKA cable by the provided RKi part.
- Connect the UNIKA between the Parrot RKi8400 and the vehicle wiring.

**Warning :** *Connect the ignition to the Parrot car kit if the vehicle is based on a resistive or a K-Bus protocol. Don't connect the ignition if the vehicle is based on a CAN protocol as this signal is supplied by the Parrot UNIKA.*



12V ignition is not provided.  
Get the 12V ignition from the car.

---

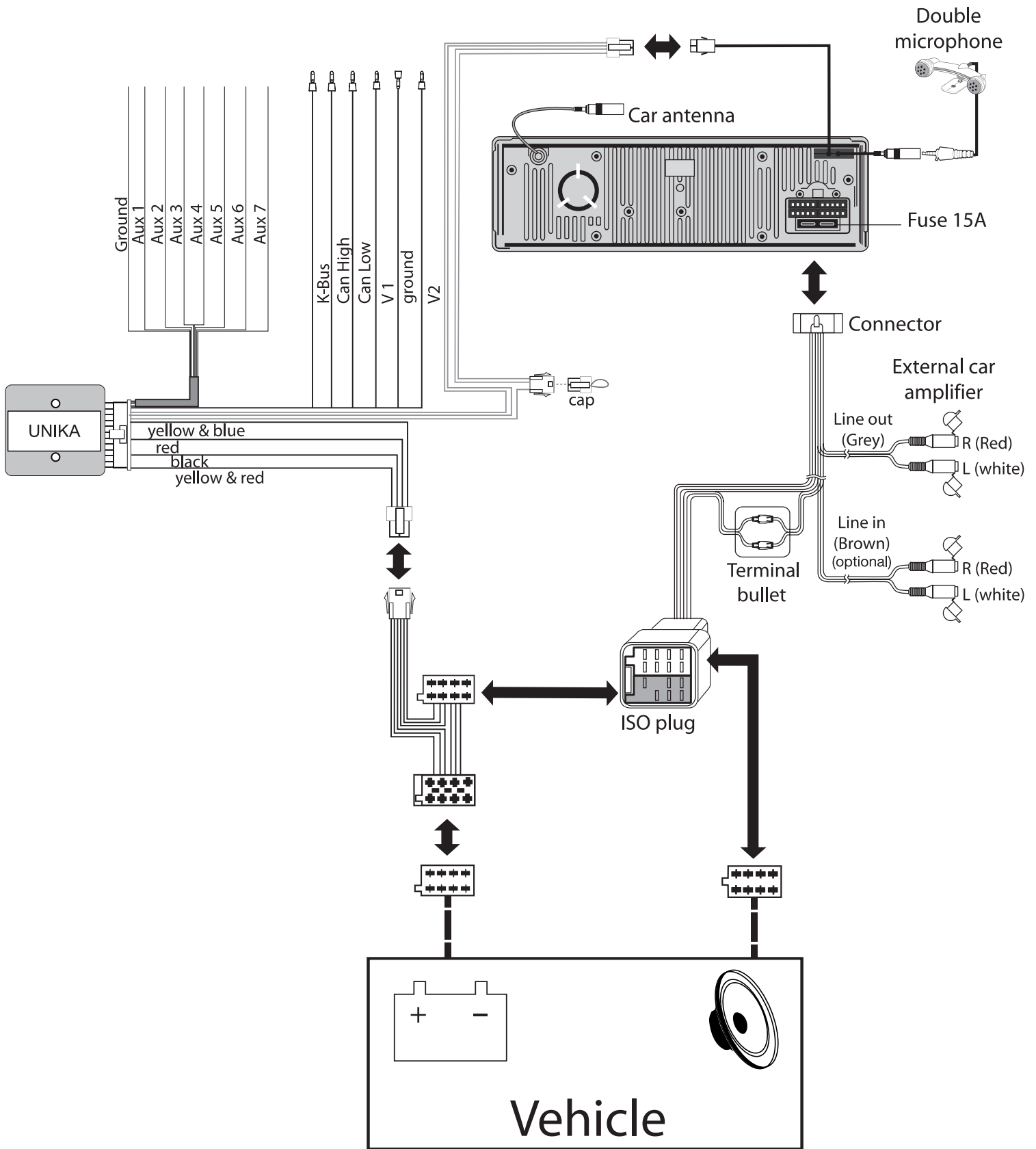
# Resistive protocol

The wires corresponding to the resistive protocol must be connected correctly to your car stereo's. It is important to follow the wiring diagram for your vehicle.

**Checking the wiring** Once your UNIKA interface has been fitted, the LED should light up green and should turn amber while pressing a button on your steering wheel. If the LED does not light up, check the power supply connections. If the LED is red or blinks red, check the connections.

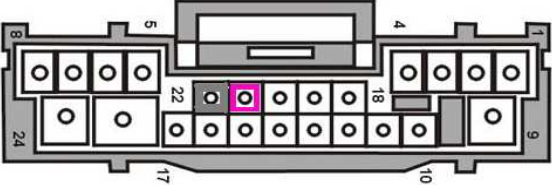
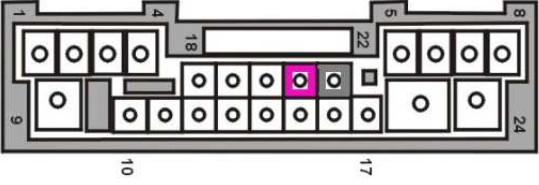
***Warning : Once the installation is complete, turn the ignition off until the UNIKA LED switches off.***

**Reset procedure** In case of problem or if you have installed the UNIKA interface in another car, reset the UNIKA by holding down the Reset button until the LED turns off (if the vehicle is based on a CAN Bus / KBus protocol) or blinks red (resistive protocol). You can then release the reset button.

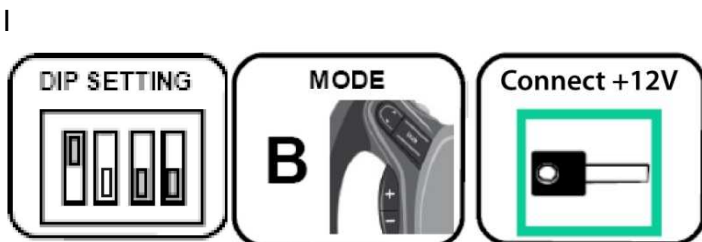
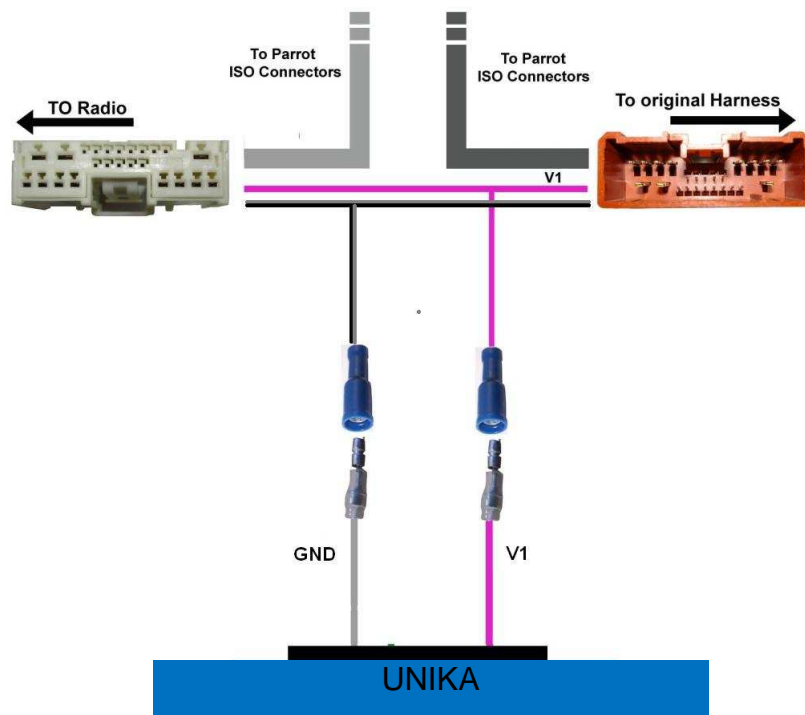


## COM Mazda

The wires corresponding to the Mazda protocol configuration must be connected correctly to your car stereo's information. It is important to follow the wiring diagram for your vehicle. We would advise our customers to have the interface fitted by a professional.

N°	Color		Connectors
21	Purple	V1	 <p>Rear view of male connector</p>
22	Gray/Black	GND	 <p>Font view of female connector</p>

Connect the pink wire corresponding to V1 to pin 21.  
Connect the gray/black wire corresponding to GND to pin 22.



# 1- Programming Parrot UNIKA for your car

The wires corresponding to the resistive protocol must be connected correctly to your car stereo's. It is important to follow the wiring diagram for your vehicle.

## Defining the mode

If your vehicle is based on a resistive protocol, you have to define the mode manually:

1. Turn the ignition on.
  - > The LED blinks red once.
2. Press the buttons on the steering wheel in the following order:



> Each time you press a button, the LED blinks in red.

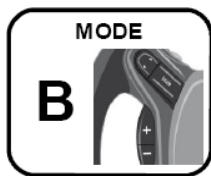
## Reset procedure

In case of problem or if you have installed the UNIKA interface in another car, reset the UNIKA by holding down the Reset button until the LED turns off (if the vehicle is based on a CAN Bus / KBus protocol) or blinks red (resistive protocol). You can then release the reset button.

## Specific case

If you do not have 7 buttons on your steering wheel, hold down the last button for two seconds until the LED turns green.

**Warning : Once the installation is complete, turn the ignition off until the UNIKA LED switches off.**



Your system runs on B mode.

---

# Resistive protocol

The wires corresponding to the resistive protocol must be connected correctly to your car stereo's. It is important to follow the wiring diagram for your vehicle.

**Checking the wiring**      Once your UNIKA interface has been fitted, the LED should light up green and should turn amber while pressing a button on your steering wheel. If the LED does not light up, check the power supply connections. If the LED is red or blinks red, check the connections.

***Warning : Once the installation is complete, turn the ignition off until the UNIKA LED switches off.***

**Reset procedure**      In case of problem or if you have installed the UNIKA interface in another car, reset the UNIKA by holding down the Reset button until the LED turns off (if the vehicle is based on a CAN Bus / KBus protocol) or blinks red (resistive protocol). You can then release the reset button.

---

## 2 - Features

Depending on the steering wheel control in your vehicle, the UNIKA interface will enable you to take full advantage of the telephone and music functions in 4 different modes: Mode A (4 buttons), Mode B (5 buttons), Mode C (6 buttons) and Mode D (7 buttons). The selection of this mode depends on the protocol of the vehicle.

*Note : Pictograms on the buttons depend on the model of the vehicles.*



Short press



2 short presses



Long press



Volume



Seek








Source



Pick up - Hang up

---

**Warning :** *The mode you will use depends on the number of available buttons and not on the pictograms. For instance, if you have the      buttons, you will use the UNIKA in mode B : consider the  button is replaced by the  button.*

# Mode B



Adjust the volume / Modifier le volume / Ajustar el volumen / Einstellung der Lautstärke / Modificare il volume / De geluidsterkte regelen



Answer an incoming call / Répondre à un appel / Descolgar una llamada / Entgegennehmen eines eingehenden Anrufs / Rispondere a una chiamata / Een inkomend gesprek opnemen



Refuse an incoming call / Refuser un appel / Colgar una llamada / Beenden eines eingehenden Anrufs / Rifiutare una chiamata / en inkomend gesprek weigeren



Hang up / Raccrocher / Rechazar / Ablehnen / Riagganciare / Ophangen



Redial function / Fonction Bis / Función de rellamada / Wiederholung des letzten Anrufs / Funzione Bis / Bis functie



Next - previous / Suivant - précédent / Siguiente - precedente / Vorhergehende - nächsten / Precedente - successivo



Discreet mode / Mode discret / Modo discreto / Diskreter Modus / Modalità privata / Privacy mode



Exit discreet mode / Sortir du mode discret / Salir del modo discreto / Beenden des Diskreter Modus / Disattivare la modalità privata / De discrete modus opheffen



Start the voice recognition feature / Lancer la reconnaissance vocale / Iniciar el modo de reconocimiento de voz / Aktivieren der Spracherkennung / Attivare la funzione di ricon. vocale / De modus Spraakherkenning sluiten



Selecting a music source / Sélectionner une source audio / Seleccionar una fuente de audio / Auswahl der Audioquelle / Selezionare l'audio



Next - previous / Suivant - précédent / Siguiente - precedente / Vorhergehende - nächsten / Precedente - successivo